

# AC-G6000DY Diesel Generator



**JOHN DEERE**

**OPERATOR'S  
MANUAL**



# Introduction

THANK YOU for purchasing a John Deere product.

READ THIS MANUAL carefully to learn how to operate and service your machine correctly. Failure to do so could result in personal injury or equipment damage.

THIS MANUAL SHOULD BE CONSIDERED a permanent part of your machine and should remain with the machine when you sell it.

MEASUREMENTS in this manual are given in both metric and customary U.S. unit equivalents. Use only correct replacement parts and fasteners. Metric and inch fasteners may require a specific metric or inch wrench.

RIGHT HAND AND LEFT HAND sides are determined by facing the motor end of the machine.

The SERIAL NUMBER is located in the Specification or Identification Numbers section. Accurately record all the numbers to help in tracing the machine should it be stolen. Your dealer also needs these numbers when you order parts. File the identification numbers in a secure place off the machine.

WARRANTY is provided from your dealer for customers who operate and maintain their equipment as described in this manual. The warranty is explained on the warranty certificate shown in this manual.

This warranty provides you the assurance that your dealer will back products where defects appear within the warranty period. Should the equipment be abused, or modified to change its performance beyond the original factory specifications, the warranty will become void.

## WARNING

The engine exhaust from this product contains chemicals known to the State of California to cause cancer, birth defects or other reproductive harm.

## WARNING

This product contains one or more chemicals known to the State of California to cause cancer and birth defects or other reproductive harm.

## WARNING

**Warning:** This product contains lead, a chemical known to the State of California to cause birth defects or other reproductive harm.

*Wash your hands after handling this product.*

## PROTECT YOUR INVESTMENT.....

Use only John Deere Fuel Protect Fuel Stabilizer with Ethanol Protection TY27534 or TY27535. Developed to ensure Optimum Performance and Protection.

**IMPORTANT...Use Year Round!**

34-1904 012011

# Contents

	Page
Safety .....	4
Safety Signs .....	10
Controls .....	11
Preparing the Generator .....	12
Operation .....	17
Troubleshooting .....	21
Service .....	22
Storage .....	26
Specifications .....	26
Accessoires.....	27
Warranty .....	28

*All information, illustrations and specifications in this manual are based on the latest information available at the time of publication. The right is reserved to make changes at any time without notice.*

# Safety

## RECOGNIZE SAFETY INFORMATION

This is the safety alert symbol. When you see this symbol on your machine or in this manual, be alert to the potential for personal injury.

Follow recommended precautions and safe operating practices.



## UNDERSTAND SIGNAL WORDS

A signal word--DANGER, WARNING or CAUTION--is used with the safety-alert symbol. DANGER identifies the most serious hazards.

DANGER or WARNING safety signs are located near specific hazards. General precautions are listed on CAUTION safety signs. CAUTION also calls attention to safety messages in this manual.



## FOLLOW SAFETY INSTRUCTIONS

Carefully read all safety messages in this manual and safety signs on your machine. Keep safety signs in good condition. Replace missing or damaged safety signs. Be sure new equipment components and repair parts include the current safety signs. Replacement safety signs are available from your John Deere Customer Service Representative.

Learn how to operate the machine and how to use controls properly. Do not let anyone operate without instruction.

Keep your machine in proper working condition. Unauthorized modifications to the machine may impair the function and/or safety and affect machine life.

If you do not understand any part of this manual and need assistance, contact your John Deere Customer Service Representative.





## CARBON MONOXIDE - POISONOUS GAS

Use generator outdoors, away from open windows, vents, or doors.

Generator exhaust contains carbon monoxide - a poisonous gas that can kill you. You **CAN NOT** smell or see this gas.

Never use a generator in enclosed or partially-enclosed spaces. Generators can produce high levels of carbon monoxide very quickly. When you use a portable generator, remember that you cannot smell or see carbon monoxide. Even if you can't smell exhaust fumes, you may still be exposed to carbon monoxide.

If you start to feel sick, dizzy, or weak while using a generator, get to fresh air **RIGHT AWAY**. **DO NOT DELAY**. The carbon monoxide from generators can rapidly lead to full incapacitation and death.

If you experience serious symptoms, get medical attention immediately. Inform medical staff that carbon monoxide poisoning is suspected. If you experienced symptoms while indoors, have someone call the fire department to determine when it is safe to re-enter the building.

**NEVER** operate the generator in an explosive atmosphere, near combustible materials or where ventilation is not sufficient to carry away exhaust fumes. **Exhaust fumes can cause serious injury or death.**

**NEVER** use a generator indoors, including in homes, garages, basements, crawl spaces, and other enclosed or partially-enclosed areas, even with ventilation. Opening doors and windows or using fans will not prevent carbon monoxide build-up in the home.

Follow the instructions that come with your generator. Locate the unit outdoors and away from doors, windows, and vents that could allow the carbon monoxide gas to come indoors.

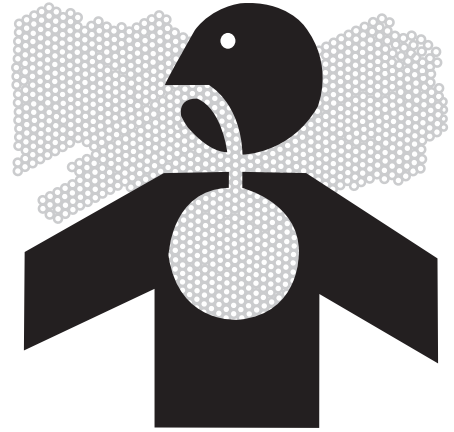
**ONLY** run generator outdoors and away from air intakes.

**NEVER** run generator inside homes, garages, sheds, or other semi-enclosed spaces. These spaces can trap poisonous gases **EVEN IF** you run a fan or open doors and windows.

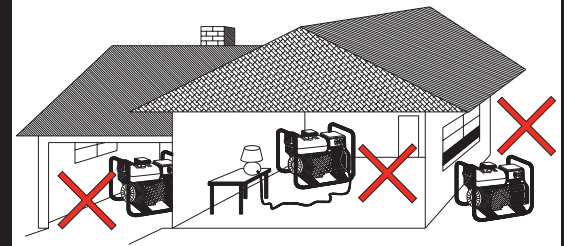
If you start to feel sick, dizzy, or weak while using the generator, shut it off and get fresh air **RIGHT AWAY**. See a doctor. You may have carbon monoxide poisoning.

Install battery-operated carbon monoxide alarms or plug-in carbon monoxide alarms with battery back-up in your home, according to the manufacturer's installation instructions. The carbon monoxide alarms should be certified to the requirements of the latest safety standards for carbon monoxide alarms. (UL 2034, IAS 6-96, or CSA 6.19.01).

Test your carbon monoxide alarm frequently and replace dead batteries.



**DANGER / PELIGRO**



• DO NOT USE INDOORS OR OUTSIDE OPEN WINDOWS FUMES CAN KILL YOU!  
• NE PAS UTILISER À L'INTÉRIEUR OU À L'EXTÉRIEUR DES FENÊTRES OUVERTES. LES VAPEURS DE GAZ PEUVENT VOUS TUER!  
• ¡NO USE A DENTRO O AFUERA DE VENTANAS ABIERTAS LOS GASES PUEDEN MATARLE!

34-1563-E/F/S-062104-ENG.



## SAFETY WARNING WHEN REFUELING

Diesel fuel is extremely flammable and its vapors can explode if ignited.

Observe all safety regulations for the safe handling of fuel. Handle fuel in safety containers. If the container does not have a spout, use a funnel.

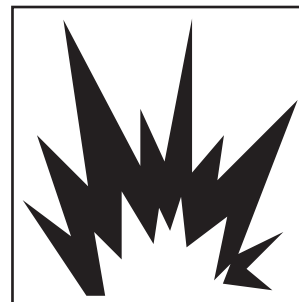
Do not overfill the fuel tank, leave room for the fuel to expand.

Do not refill fuel tank while the engine is running. Before refueling the generator, turn it off and let it cool down. Diesel fuel spilled on hot engine parts could ignite.

Fill the tank only on an area of bare ground. While fueling the tank, keep heat, sparks and open flame away. Carefully clean up any spilled fuel before starting engine.


Always fill fuel tank in an area with plenty of ventilation to avoid inhaling dangerous fumes.

NEVER store fuel for your generator in the home. Diesel fuel, propane, kerosene, and other flammable liquids should be stored outside of living areas in properly-labeled, non-glass safety containers. Do not store them near a fuel-burning appliance, such as a natural gas water heater in a garage. If the fuel is spilled or the container is not sealed properly, invisible vapors from the fuel can travel along the ground and can be ignited by the appliance's pilot light or by arcs from electric switches in the appliance.



## GROUND FAULT CIRCUIT INTERRUPTER PROTECTION

These generators are equipped with two GFCI (Ground Fault Circuit Interrupters) 120V duplex receptacles for protection against the hazards of electrical shock from defective attachments such as, tools, cords, and cables.

 **WARNING: THE GFCIS MAY NOT FUNCTION UNLESS THE GENERATOR IS PROPERLY GROUNDED. FOLLOW THE CORRECT PROCEDURE SPECIFIED IN THE SECTION LABELED "GROUNDING INSTRUCTIONS"**

A GFCI is a device that interrupts electricity from either the utility or generator by means of a special type of circuit breaker if a fault current flow to the ground occurs.

 **WARNING: ONLY THE 120V DUPLEX RECEPTACLES ARE PROTECTED BY THE GFCI.**

A GFCI can be used only with generators that have the neutral wire internally bonded to the frame, and the frame properly grounded to the earth. A GFCI will not work on generators that do not have the neutral wire bonded to the frame, or on generators which have not been properly grounded. All John Deere generators have internally bonded ground wires. A GFCI will not work if the unit is not properly grounded.

A GFCI may be required by OSHA regulations, the National Electric Code and/or local and federal codes when operating a generator.

For additional protections against shock hazards due to defective equipment attached to the twist-lock receptacles, consider the use of a GFCI on each of these receptacles as well.

GFCIs and GFCI protected cord sets and cables may be purchased from local electrical supply houses.



## ELECTRICAL HAZARDS

This product must be grounded. It has permanent conductor between the generator (stator winding) and the frame. If it should malfunction or breakdown, grounding provides a path of least resistance for electric current to reduce the risk of electric shock.



**DANGER - IMPROPER CONNECTION OF THE EQUIPMENT-GROUNDING CONDUCTOR CAN RESULT IN A RISK OF ELECTROCUTION. CHECK WITH A QUALIFIED ELECTRICIAN OR SERVICE PERSON IF YOU ARE IN DOUBT AS TO WHETHER THE UNIT IS PROPERLY GROUNDED.**

This generator is equipped with a grounding terminal for your protection. Always complete the ground path from the generator to an external ground source as instructed in the section labeled “Grounding Instructions” in the Preparation section of this manual.

The generator is a potential source of electrical shock if not kept dry. Keep the generator dry and do not use in rain or wet conditions. To protect from moisture, operate it on a dry surface under an open, canopy-like structure. Dry your hands if wet before touching the generator.

Risk of electric shock if you operate this generator with a faulty GFCI (Ground Fault Circuit Interrupter). Test GFCI before each use, see Operations Instructions for further information. If GFCI fails test, DO NOT use your generator. Contact your John Deere Customer Service Representative.

Plug appliances directly into the generator. Or, use a heavy duty, outdoor-rated extension cord that is rated (in watts or amps) at least equal to the sum of the connected appliance loads. Check that the entire cord is free of cuts or tears and that the plug has all three prongs, especially a grounding pin.

NEVER try to power the house wiring by plugging the generator into a wall outlet, a practice known as “back feeding”. This is an extremely dangerous practice that presents an electrocution risk to utility workers and neighbors served by the same utility transformer. It also bypasses some of the built-in household circuit protection devices.

If you must connect the generator to the house wiring to power appliances, have a qualified electrician install the appropriate equipment in accordance with local electrical codes. Or, check with your utility company to see if it can install an appropriate power transfer switch.

For power outages, permanently installed stationary generators are better suited for providing backup power to the home. Even a properly connected portable generator can become overloaded. This may result in overheating or stressing the generator components, possibly leading to a generator failure.

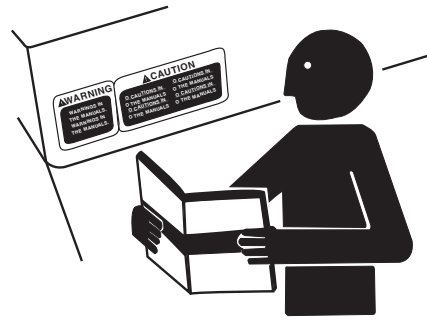




## IMPORTANT SAFETY INSTRUCTIONS

**WARNING:** To reduce the risk of injury, read this operator's manual completely before using. When using this product, the following basic precautions should always be followed:

1. Read all the instructions before using the product.
2. This product is equipped with a Ground Fault Circuit Interrupter (GFCI) in the power cord to reduce the risk of electrical shock. If replacement of the plug or cord is needed, use only identical replacement parts.
3. Do not allow children or untrained persons to operate the generator.
4. Do not operate the generator when fatigued or under the influence of drugs or chemicals. Stay alert. Watch what you are doing.
5. Follow the maintenance instructions specified in this manual.
6. When starting the generator, using recoil starter grip, be sure that nothing is in a position to be hit by the operator's hand or arm.
7. Be sure the switch on electric power tools is in the "OFF" position before plugging them into the generator.
8. Keep the immediate area free of all bystanders.
9. Be sure each person who operates this generator is properly instructed in its safe operation.
10. Do not operate the generator or any electrical tool in any area where water or similar materials constitute an electrical hazard to the operator. Do not operate on wet surfaces, in rain or in snow.
11. Always be sure that the generator is on secure footing so that it cannot slide or shift around, endangering workers.
12. Avoid contacting the hot exhaust manifold, muffler or cylinder(s). Keep clear of all rotating parts.
13. Unless the tool or appliance is double insulated, it must be grounded through a properly grounded receptacle. (See Preparing the Generator, Grounding Instructions). Tools and appliances which have 3 prong plugs must be plugged into extension cords and electrical receptacles with 3 holes. Before operating any electrical item, be sure it is in good repair.
14. Follow instructions in this manual when testing Ground Fault Circuit Interrupter to insure reliable operation.
15. Beware of using this equipment in confined spaces. Confined spaces, without sufficient fresh air ventilation, can contain dangerous gases. Running diesel fuel engines in such environments can lead to deadly explosions and/or asphyxiation.
16. If your generator comes equipped with a transport dolly, make sure this unit is secure during operation and when transporting to prevent unexpected movement or rolling.
17. Use extreme caution when lifting this generator. Do not use dolly handles to lift this generator, use only designated lifting hook to lift this generator. This generator is heavy so proper lifting techniques should be used.



**SAVE THESE INSTRUCTIONS**





## WEAR PROTECTIVE CLOTHING

Wear close fitting clothing and safety equipment appropriate to the job.

Wear a suitable hearing protective device such as earmuffs or earplugs to protect against objectionable or uncomfortable loud noises.

Operating equipment safely requires the full attention of the operator. Do not wear radio or music headphones while operating machine.

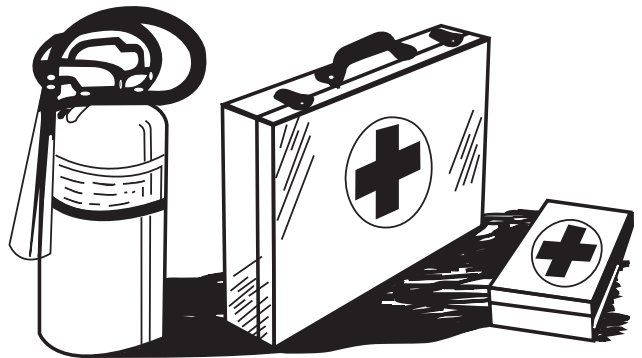


## PREPARE FOR EMERGENCIES

Keep a first aid kit and fire extinguisher handy.

Keep emergency numbers for doctors, ambulance service, hospital and fire department near your telephone.

Be prepared if a fire starts.



## INSPECT GENERATOR

Be sure all covers, guards and shields are tight and in place.

Locate all operating controls and safety labels.

Inspect power cord for damage before using. There is a hazard of electrical shock from crushing, cutting or heat damage.

## SERVICE GENERATOR SAFELY

Before servicing the generator, disconnect all equipment and battery (if equipped) and allow unit to cool down.

Service generator in a clean dry flat area.



# SAFETY SIGNS

<b>⚠ DANGER</b>	<b>⚠ DANGER</b>	<b>⚠ PELIGRO</b>
<p>Using a generator indoors <b>CAN KILL YOU IN MINUTES</b>. Generator exhaust contains carbon monoxide. This is a poison you cannot see or smell.</p>	<p>L'utilisation d'un groupe électrogène à l'intérieur <b>PEUT VOUS TUER EN QUELQUES MINUTES</b>.</p>	<p>Utilizando un generador adentro <b>PUEDO MATARLE EN MINUTOS</b>.</p>
	<p>Le gaz d'échappement du groupe électrogène contient de l'oxyde de carbone. C'est un gaz toxique que l'on ne peut pas voir ou sentir.</p> <p>Ne <b>JAMAIS</b> utiliser à l'intérieur d'une maison ou d'un garage, <b>MÊME</b> si les portes et fenêtres s'ont ouvertes.</p> <p>N'utiliser qu'à l'<b>EXTÉRIEUR</b> et bien éloigné des fenêtres, portes, et conduits d'aération.</p>	<p>El escape de generador contiene monóxido de carbono. Este es un gas tóxico que usted no puede ver ni puede oler.</p> <p>Nunca utilice dentro de un hogar ni el garaje, <b>INCLUSO</b> si puertas y ventanas estén abiertas.</p> <p>Solo utilice <b>AFUERAS</b> y lejos de ventanas abiertas, las puertas, y descargas.</p>
<p><b>NEVER</b> use inside a home or garage, <b>EVEN IF</b> doors and windows are open.</p>	<p>Only use <b>OUTSIDE</b> and far away from windows, doors, and vents.</p>	<p>34-1916-031607-E-F-S.</p>

34-1916

<b>⚠ WARNING</b>	<b>⚠ AVERTISSEMENT</b>	<b>⚠ ADVERTENCIA</b>
<p><b>ROBUSTIOUS GAS</b> This product gives off carbon monoxide, a poisonous gas that can kill you. You <b>CANNOT</b> smell, see, or feel this substance and away from any vehicle.</p> <p><b>NEVER</b> use generator inside home, garage, sheds, or other un-vented spaces. These spaces are not designed to exhaust fumes.</p> <p>Use unit in a well-ventilated area. Do not use in a tent or other enclosed space. See a doctor. You may have carbon monoxide poisoning.</p>	<p><b>CAUTIONARY EXPLOSION</b> L'usage de ce produit peut provoquer une explosion et des blessures graves si le manuel d'utilisation n'est pas lu attentivement avant de commencer à utiliser l'appareil.</p> <p>Le gaz d'échappement du groupe électrogène contient de l'oxyde de carbone, un gaz toxique que l'on ne peut pas voir ou sentir.</p> <p>Ne <b>JAMAIS</b> utiliser à l'intérieur d'une maison ou d'un garage, <b>MÊME</b> si les portes et fenêtres s'ont ouvertes.</p> <p>N'utiliser qu'à l'<b>EXTÉRIEUR</b> et bien éloigné des fenêtres, portes, et conduits d'aération.</p>	<p><b>BASES VENENOSAS</b> Este producto emite monóxido de carbono, un gas venenoso que puede matarlo. No puede verlo, sentirlo, ni olerlo.</p> <p>Nunca utilice el generador dentro de una casa, garaje, bodega, o cualquier otro espacio no ventilado.</p> <p>Utilice el generador en un área bien ventilada y lejos de cualquier estructura cerrada.</p> <p>Nunca utilice el generador dentro de una tienda, carpas, o cualquier otro espacio cerrado. Consulte a un médico. Puede haber intoxicación por monóxido de carbono.</p>

34-1676

<b>OPERATION</b>	<b>D'UTILISATION</b>	<b>OPERACIÓN</b>
<p>Read unit Operator's Manual carefully before operating this unit. Always make sure unit is level and properly grounded. Check engine oil before starting.</p> <p><b>START-UP:</b></p> <ol style="list-style-type: none"> <li>1. Open fuel valve.</li> <li>2. Move engine speed control to the run position.</li> <li>3. Turn the key to start position, release as soon as it starts.</li> <li>4. Allow unit to warm-up (2 min.) before applying load.</li> <li>5. Turn main breaker ON to main position.</li> </ol> <p><b>SHUT-DOWN:</b></p> <ol style="list-style-type: none"> <li>1. Remove all electrical loads by turning off and unplugging cords.</li> <li>2. Turn key to off position.</li> <li>3. Depress stop lever on engine speed control.</li> <li>4. Close fuel valve.</li> </ol> <p>*For recoil start see engine manual.</p>	<p>Lire soigneusement le manuel de l'utilisateur avant de se servir de l'appareil. S'assurer toujours que l'appareil est sur une surface plane et qu'il est correctement relié à la terre. Vérifier le niveau d'huile du moteur avant le démarrage. *Pour un démarrage avec lanceur à rappel, voir le manuel du moteur.</p> <p><b>DEMARRAGE:</b></p> <ol style="list-style-type: none"> <li>1. Ouvrir la soupape de carburant de l'appareil ou du moteur.</li> <li>2. Placer la commande de régime du moteur en position de marche.</li> <li>3. Tourner la clef jusqu'à la position de démarrage, puis la relâcher dès le démarrage.</li> <li>4. Permettre à l'appareil de tourner pendant deux (2) minutes pour qu'il se réchauffe avant d'appliquer une charge.</li> <li>5. Tourner l'isolateur de secteur sur la position marche (ON).</li> </ol> <p><b>ARRÊT:</b></p> <ol style="list-style-type: none"> <li>1. Supprimer toutes les charges électriques en éteignant et en débranchant les raccords électriques.</li> <li>2. Tourner la clef jusqu'à la position d'arrêt.</li> <li>3. Abaisser le levier d'arrêt de la commande de régime du moteur.</li> <li>4. Fermer la soupape de carburant sur l'appareil ou le moteur.</li> </ol>	<p>Lea manual de operador antes de operar esta unidad. Siempre asegúrese que unidad sea plana y conecte a tierra correcto. Revise el aceite de motor antes de empujando. *Para arranque de retroceso vea el manual de motor.</p> <p><b>OPERACIÓN:</b></p> <ol style="list-style-type: none"> <li>1. Abra válvula de combustible en unidad o motor.</li> <li>2. Mueva el control de la velocidad de motor a la posición de función.</li> <li>3. Gire la llave a la posición de arranque, solte tan pronto como la comienza.</li> <li>4. Permita 2(min) para calentarse de la unidad antes de aplicando la carga.</li> <li>5. Doble cortacircuitos eléctrica a posición de ON.</li> </ol> <p><b>ARRÊT:</b></p> <ol style="list-style-type: none"> <li>1. Quite todas cargas eléctricas como apagando y desenchufando las cuerdas.</li> <li>2. Gire el interruptor de la llave a la posición de OFF.</li> <li>3. Depprima la palanca de parada en el control de la velocidad de motor.</li> <li>4. Cierre válvula de combustible en unidad o motor.</li> </ol>

34-2324



34-0889

# Controls

## CONTROLS



A -- Fuel Tank

B -- Control Panel

C -- Oil Drain Plug

D -- Fuel Cap

E -- Oil Filler Port

# Preparing the Generator

## GROUNDING INSTRUCTIONS

This product must be grounded. If it should malfunction or breakdown, grounding provides a path of least resistance for electric current to reduce the risk of electric shock.

**DANGER - IMPROPER CONNECTION OF THE EQUIPMENT-GROUNDING CONDUCTOR CAN RESULT IN A RISK OF ELECTROCUTION. CHECK WITH A QUALIFIED ELECTRICIAN OR SERVICE PERSON IF YOU ARE IN DOUBT AS TO WHETHER THE UNIT IS PROPERLY GROUNDED.**

The wing nut and ground terminal on the frame must always be used to connect the generator to a suitable ground source. The ground path should be made with #8 size wire. Connect the terminal of the ground wire between the two star washers and wing nut then tighten the wing nut fully. Connect the other end of the wire securely to a suitable ground source.

The National Electric Code contains several practical ways in which to establish a good ground source. Examples given below illustrate a few of the ways in which a good ground source may be established.

A metal underground water pipe in direct contact with the earth for at least 10 feet can be used as a grounding source. If an pipe is unavailable, an 8 foot length of pipe or rod may be used as the ground source. The pipe should be 3/4 inch trade size or larger and the outer surface must be noncorrosive. If a steel or iron rod is used it should be at least 5/8 inch diameter and if a nonferrous rod is used it should be at least 1/2 inch diameter and be listed as material for grounding. Drive the rod or pipe to a depth of 8 feet. If a rock bottom is encountered less than 4 feet down, bury the rod or pipe in a trench. All electrical tools and appliances operated from this generator, must be properly grounded by use of a third wire or be "Double Insulated".

It is recommended to:

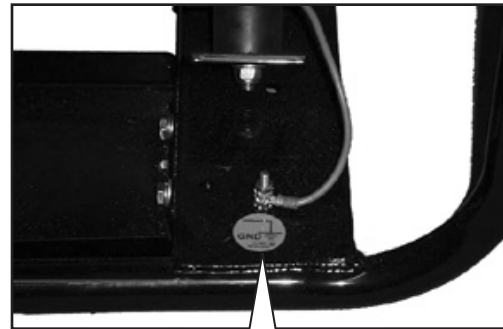
1. Use electrical devices with 3 prong power cords.
2. Use an extension cord with a 3 hole receptacle and a 3 prong plug at the opposite ends to ensure continuity of the ground protection from the generator to appliance.

We strongly recommend that all applicable federal, state and local regulations relating to grounding specifications be checked and followed.

## LINE TRANSFER SWITCH

If this generator is used for standby service, it must have a transfer switch between the utility power service and the generator. The transfer switch not only prevents the utility power from feeding into the generator, but is also prevents the generator from feeding out into the utility company's lines. This is intended to protect the serviceman who may be working on a damaged line.

**THIS INSTALLATION MUST BE DONE BY A LICENSED ELECTRICIAN AND ALL LOCAL CODES MUST BE**



FOLLOWED.

## ENGINE OIL



**CAUTION: ONLY USE THE ENGINE OIL SPECIFIED. OTHER ENGINE OILS MAY AFFECT WARRANTY COVERAGE, CAUSE INTERNAL ENGINE COMPONENTS TO SEIZE, OR SHORTEN ENGINE LIFE.**

**PREVENT DIRT AND DEBRIS FROM CONTAMINATING THE ENGINE OIL. CAREFULLY CLEAN THE OIL CAP/DIPSTICK AND THE SURROUNDING AREA BEFORE YOU REMOVE THE CAP.**

**NEVER MIX DIFFERENT TYPES OF ENGINE OIL. THIS MAY ADVERSELY AFFECT THE LUBRICATING PROPERTIES OF THE ENGINE OIL.**

**NEVER OVERFILL. OVERFILING MAY RESULT IN WHITE EXHAUST SMOKE, ENGINE OVERSPEED OR INTERNAL DAMAGE.**

## ENGINE OIL SPECIFICATIONS

Use an engine oil that meets or exceeds the following guidelines and classifications:

### SERVICE CATEGORIES

- API Service Categories CD or higher
- ACEA Service Categories E-3, E-4, and E-5
- JASO (Japanese Automobile Standards Organizations)

### NOTES:

1. Be sure the engine oil, engine oil storage containers, and engine oil filling equipment are free of sediments and water.
2. Change the engine oil after the first 50 hours of operation and then at every 200 hours thereafter.
3. Select the oil viscosity based on the ambient temperature where the engine is being operated. See SAE Service Grade Viscosity Chart.
4. Yanmar does not recommend the use of engine oil "additives".

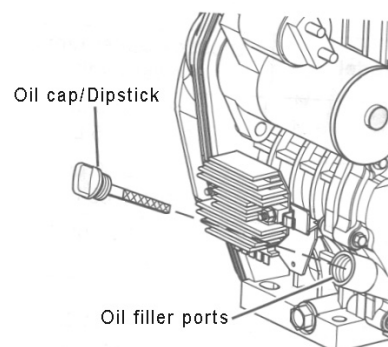
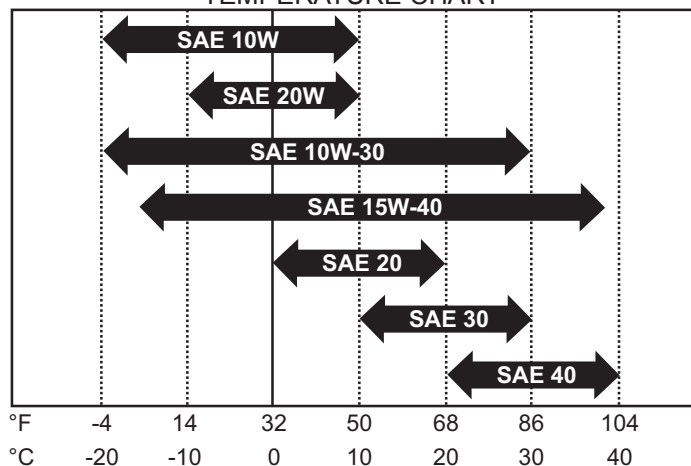
## ENGINE OIL VISCOSITY

Select the appropriate engine oil viscosity based on the ambient temperature and use the SAE Service Grade Viscosity Chart.

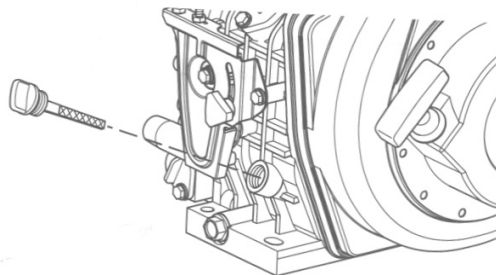
### TO FILL WITH OIL:

1. Make sure engine is level.
2. Remove oil cap/dipstick from either location and wipe with clean cloth.
3. Add indicated amount of engine oil at either one of the engine oil filler ports.

TEMPERATURE CHART



4. Wait one minute and check oil level.
5. Add more oil if necessary.
6. Fully reinsert oil cap/dipstick and hand tighten. Over-tightening the oil cap/dipstick will damage it.



### ENGINE OIL CAPACITY (TYPICAL)

The following is the engine oil capacity for various Yanmar LV Series engines.

MODEL #	DIPSTICK UPPER LIMIT/ LOWER LIMIT
L100V	1.7/1.06 QT (1.6/1.0L)

### FUELING



**WARNING: EXPLOSIVE FUEL!**

**DIESEL FUEL IS EXTREMELY FLAMMABLE AND ITS VAPORS CAN EXPLODE IF IGNITED.**

**STORE DIESEL FUEL ONLY IN APPROVED CONTAINERS, IN WELL VENTILATED, UNOCCUPIED BUILDINGS AND AWAY FROM SPARKS OR FLAMES.**

**DO NOT FILL THE FUEL TANK WHILE THE ENGINE IS HOT OR RUNNING, SINCE SPILLED FUEL COULD IGNITE IF IT COMES IN CONTACT WITH HOT PARTS OR SPARKS FROM IGNITION. DO NOT START THE ENGINE NEAR SPILLED FUEL.**

**NEVER USE DIESEL FUEL AS A CLEANING AGENT.**



**WARNING: DO NOT OVERFILL THE FUEL TANK, LEAVE ROOM FOR THE FUEL TO EXPAND.**

### GENERAL RECOMMENDATIONS

Purchase diesel fuel in small quantities and store in clean, approved containers.

To minimize gum deposits in your fuel system and to insure easy starting, do not use diesel fuel left over from the previous season.

Do not add oil to the diesel fuel.

### DIESEL FUEL SPECIFICATIONS

Diesel fuel should comply with the following specifications. The table lists several worldwide specifications for diesel fuels.

Diesel Fuel Specification	Location
No. 2-D, No.1-D, ASTM D975-94	USA
EN590:96	European Union
ISO 8217 DMX	International
BS 2869-A1 or A2	United Kingdom
JIS K2204 Grade No. 2	Japan
KSM-2610	Korea
GB252	China

### **ADDITIONAL TECHNICAL FUEL REQUIREMENTS**

- The fuel cetane number should be equal to 45 or higher.
- The sulfur content must not exceed 0.5% by volume. Less than 0.05% is preferred.
- Bio-Diesel fuels. See below.
- Never mix kerosene, used engine oil, or residual fuels with the diesel fuel.
- Water and sediment in the fuel should not exceed 0.05% by volume.
- Keep the fuel tank and fuel-handling equipment clean at all times.
- Poor quality fuel can reduce engine performance and/or cause engine damage.
- Fuel additives are not recommended. Some fuel additives may cause poor engine performance. Consult your Yanmar representative for more information.
- Ash content not to exceed 0.01% by volume.
- Carbon residue content not to exceed 0.35% by volume. Less than 0.1% is preferred.
- Total aromatics content should not exceed 35% by volume. Less than 30% is preferred.
- PAH (polycyclic aromatic hydrocarbons) content should be below 10% volume.
- Metal content of Na, Mg, Si, and Al should be equal to or lower than 1 mass ppm. (Test analysis method JPI-5S-44-95)

### **BIO-DIESEL FUELS**

In Europe and the United States, as well as some other countries, non-mineral oil based fuel resources such as RME (Rapeseed Methyl Ester) and SOME (Soybean Methyl Ester), collectively known as FAME (Fatty Acid Methyl Esters), are being used as extenders for mineral oil derived diesel fuels.

Yanmar approves the use of bio-diesel fuels that do not exceed a blend of 5% (by volume) of FAME with 95% (by volume) of approved mineral oil derived diesel fuel. Such bio-fuels are known in the marketplace as B5 fuels.

#### **These B5 diesel fuels must meet certain requirements.**

1. The bio-fuels must meet the minimum specifications for the country in which they are used.
  - In Europe, bio-diesel fuels must comply with the European Standard EN14214.
  - In the United States, bio-fuels must comply with the American Standard ASTM D-6751.
2. Bio-fuels should be purchased only from recognized and authorized diesel fuel suppliers.

### **PRECAUTIONS AND CONCERNS REGARDING THE USE OF BIO-FUELS:**

1. Free methanol in FAME may result in corrosion of aluminum and zinc FIE components.

2. Free water in FAME may result in plugging of fuel filters and increased bacterial growth.
3. High viscosity at low temperatures may result in fuel delivery problems, injection pump seizures, and poor injection nozzle spray atomization.
4. FAME may have adverse effect on some elastomers (seal materials) and may result in fuel leakage and dilution of the engine lubricating oil.
5. Even bio-diesel fuels that comply with a suitable standard as delivered, will require additional care and attention to maintain the quality of the fuel in the equipment or other fuel tanks. It is important to maintain a supply of clean, fresh fuel. Regular flushing of the fuel system, and/or fuel storage containers, may be necessary.
6. The use of bio-diesel fuels that do not comply with the standards as agreed to by the diesel engine manufacturers and the diesel fuel injection equipment manufacturers, or bio-diesel fuels that have degraded as per the precautions and concerns above may affect the warranty coverage of your engine.

## BATTERY INSTALLATION



**WARNING: SHOULD ONLY BE DONE BY AN AUTHORIZED DEALER.**

### BATTERY REPLACEMENT #

32-0058

## HIGH ALTITUDE

Observe the following environmental operating conditions to maintain engine performance and avoid premature engine wear:

- Never run the engine if the ambient temperature is above +104°F (+40°C) or below +14°F (-10°C).
- If the ambient temperature exceeds +104°F (+40°C) the engine may overheat and cause the engine oil to break down.
- If the ambient temperature falls below +14°F (-10°C) rubber components such as gaskets and seals will harden causing premature engine wear and damage.
- Contact your authorized Yanmar industrial engine dealer or distributor if the engine will be operated in either temperature extreme.
- Contact your authorized Yanmar industrial engine dealer or distributor if you need to operate the engine at high altitudes. At high altitudes the engine will lose power, run rough, and produce exhaust gases that exceed the design specifications.



# Operation

## OPERATION

### RECOIL START

**NOTE:** Read Operator's Manual carefully before operating this unit. Always make sure the unit is level and properly grounded. Check engine oil before starting.

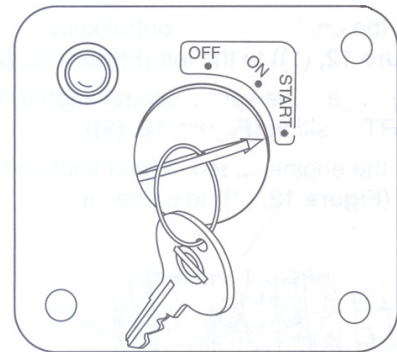
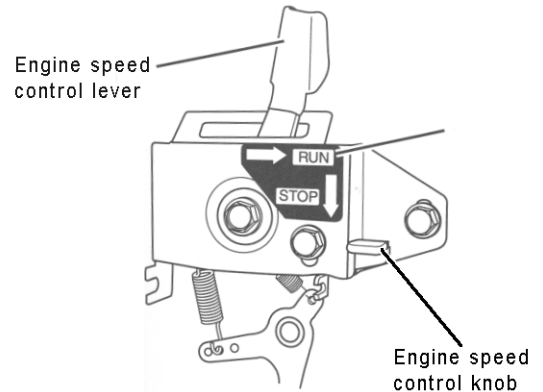
### ELECTRIC START



**CAUTION: NEVER USE AN ENGINE STARTING AID SUCH AS ETHER. ENGINE DAMAGE WILL RESULT.**

Use the following procedure to start the engine.

1. Make sure the fuel cock is in the ON position.
2. Set engine speed control to RUN
3. Insert the key into the key switch.
4. Turn the key clockwise to the START position. Release the key as soon as the engine starts. It will return to the ON position.
5. If the engine fails to start:
  - a. Wait until the engine comes to a complete stop before you attempt to start it again. Engaging the starter while the engine is still rotating will result in damage to the starter motor and flywheel.
  - b. Wait at least 30 seconds before you attempt to start the engine again. This pause will allow the battery voltage to recover to prevent damage to the starter motor due to the low battery voltage.
6. Allow the unit to run for two (2) minute warm-up.
7. Turn main breaker to ON position (GEN-6000 units only).
8. Test the GFCI receptacle(s) on the unit. Push the test button. The reset button should pop out and there should be no power at the receptacle. Apply a test load or lamp to each receptacle to verify. IF THE RESET BUTTON DOES NOT POP OUT, DO NOT USE THE RECEPTACLE(S). SEE DEALER FOR SERVICE IMMEDIATELY.
9. If GFCI receptacle(s) test correctly, firmly push the reset button to restore power. A distinctive click should be heard or felt when this is complete. IF THE RECEPTACLE(S) DO NOT RESET PROPERLY, DO NOT USE THE RECEPTACLE(S). SEE DEALER FOR SERVICE IMMEDIATELY.



## SHUTDOWN



**CAUTION: FOR MAXIMUM ENGINE LIFE, YANMAR RECOMMENDS THAT WHEN SHUTTING THE ENGINE DOWN, YOU ALLOW THE ENGINE TO IDLE, WITHOUT LOAD, FOR 5 MINUTES. THIS WILL ALLOW THE ENGINE COMPONENTS THAT OPERATE**

**AT HIGH TEMPERATURES, SUCH AS THE TURBOCHARGER (IF EQUIPPED) AND EXHAUST SYSTEM, TO COOL SLIGHTLY BEFORE THE ENGINE ITSELF IS SHUT DOWN.**

Set Engine Speed Control to STOP



**CAUTION: IF THE ENGINE CONTINUES TO RUN AFTER YOU POSITION THE ENGINE SPEED CONTROL TO THE STOP POSITION, TURN THE FUEL COCK TO THE CLOSED POSITION.**

1. Press the Speed Control knob to STOP and the engine speed control lever will automatically return to the STOP position.

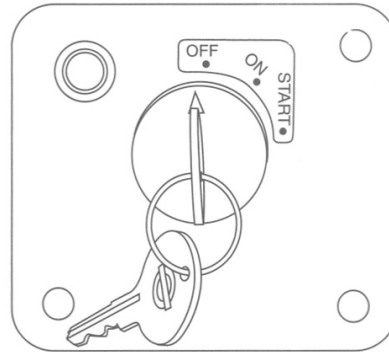
*Note: The speed control lever is spring -loaded so when you push down on the STOP button, the speed control lever moves back to the shut-off position. There is no idle position or intermediate speeds.*

### ELECTRIC START MODELS

Turn the key to the OFF position and remove it from the key switch.

### AFTER THE ENGINE STOPS

1. Move the fuel cock lever to the closed position.
2. Slowly pull the recoil starter handle out to the point of resistance (the point in the compression stroke where the intake and exhaust valves are closed). This helps to prevent rust while the engine is not in use.
3. If the engine will not be used for six months or longer, follow the additional instructions on storage.



## CONTROLS

### CONTROL PANEL :

The generator is equipped with the following items:

- Hour Meter
- Volt Meter
- Circuit Breakers
- Two 125 Volt, 20 Amp, Duplex (2 outlets), GFCI protected receptacles.
- One 125 Volt, 30 Amp, Locking Type Receptacle.
- One 125/250 Volt, 20 Amp, Locking Type Receptacle

**NOTE: The 125 Volt, 30 Amp and 125/250 Volt, 20 Amp locking receptacles ARE NOT GROUND FAULT PROTECTED. If ground fault protection on these receptacles is necessary or desired, external protection devices must be used. Refer to the section on “Ground Fault Interrupter” for more information.**



**WARNING: NEVER EXCEED THE RATING OF A RECEPTACLE.**

These receptacles are protected against overloads by resetting magnetic type circuit breakers. If a circuit breaker trips, the cause should be determined and corrected prior to continuing use.

**HOUR METER:**

These generators are equipped with an hour meter that records run time for the unit. This is very useful in scheduling maintenance. See periodic maintenance chart for suggested maintenance schedule.

**VOLT METER:**

These generators are equipped with a volt meter. The volt meter is used to monitor the unit for proper voltage.

**MAIN BREAKER:**

These generators are equipped with a main circuit breaker which protects the unit in an overload condition. This main breaker must be "ON" for any power to be drawn from the unit.

**CABLE SIZE:**

Equipment damage can result from low voltage. Therefore, to prevent excessive voltage drop between the generator and the equipment, the cable should be of adequate gauge for the length used. The cable selection chart gives the maximum cable lengths for various gauges of wire which can adequately carry the loads shown.

**ELECTRIC MOTOR LOADS:**

It is characteristic of common electric motors in normal operation to draw up to six times their running current while starting. This table may be used to estimate the watts required to start "CODE G" electric motors.



**CAUTION: IF AN ELECTRIC MOTOR FAILS TO START OR REACH RUNNING SPEED, TURN OFF THE APPLIANCE OR TOOL IMMEDIATELY TO AVOID EQUIPMENT DAMAGE. ALWAYS CHECK THE REQUIREMENTS OF THE TOOL OR APPLIANCE BEING USED COMPARED TO THE RATED OUTPUT OF THE GENERATOR.**

Operating the Generator

CURRENT IN AMPS	LOAD IN WATTS		MAXIMUM CABLE LENGTH (FEET)				
	120 VOLTS	240 VOLTS	#8 WIRE	#10 WIRE	#12 WIRE	#14 WIRE	#16 WIRE
2.5	300	600		1000	600	375	250
5	600	1200		500	300	200	125
7.5	900	1800		350	200	125	100
10	1200	2400		250	150	100	50
15	1800	3600		150	100	65	
20	2400	4800	175	125	75	50	
25	3000	6000	150	100	60		
30	3600	7200	125	65			
40	4800	9600	90				

MOTOR (H.P.)	RUNNING WATTS	WATTS REQUIRED TO START MOTOR		
		REPULSION INDUCTION	CAPACITOR	SPLIT PHASE
1/8	275	600	850	1200
1/6	275	600	850	2050
1/4	400	850	1050	2400
1/3	450	975	1350	2700
1/2	600	1300	1800	3600
3/4	850	1900	2600	
1	1100	2500	3300	

# Troubleshooting

SYMPTOM	PROBLEM	SOLUTION
Engine will not start.	Engine switch is off. Fuel Tank empty. Fuel Valve is off.	Turn engine switch to the ON position. Fill tank per instructions in this manual. Turn Fuel Valve on. Consult John Deere Customer Service.
Generator has no output.	Circuit breakers tripped. Inadequate cord sets or extension cords.	Reset circuit breakers. Check cord sets or extension cords capabilities in section Controls; Cable Size in this manual. Consult John Deere Customer Service.

# Service

## GENERATOR MAINTENANCE

Keep all air vents clear.

Keep the generator clean. DO NOT spray with water.

Periodically check all fasteners and tighten, see the periodic maintenance chart.

### GFCI TEST RECORDS:

As with any other safety devices, the GFCIs supplied with these generators must be checked every month to insure that they are functioning properly. To test the GFCIs, follow the instructions and then enter the date of the test below.

1. With the generator running, push the "TEST" button. The "RESET" button should pop out. This should result in the power being off at both outlets of the duplex receptacle. Verify this by plugging a test lamp into each outlet.

 **WARNING: IF THE RESET BUTTON DOES NOT POP OUT, DO NOT USE THE RECEPTACLE(S). SEE AUTHORIZED JOHN DEERE CUSTOMER SERVICE REPRESENTATIVE FOR SERVICE IMMEDIATELY.**

2. If the GFCI test correctly, restore power by FIRMLY pushing the "RESET" button back in until you hear or feel a distinctive "click". IF THE GFCI FAILS TO RESET PROPERLY, DO NOT USE EITHER OUTLET OF THE DUPLEX RECEPTACLE. Have the unit serviced by an authorized John Deere Customer Service Representative immediately.

3. High vibration or severe mechanical shock loads may cause the GFCIs to trip. IF EITHER GFCI TRIPS BY ITSELF AT ANY TIME, reset it and perform test procedures 1 and 2.

4. Repeat steps 1-3 for the second GFCI.

 **WARNING: ALTHOUGH THE ABOVE TEST PROCEDURES WILL INDICATE PROPER GFCI OPERATION ON AN UNGROUNDED OR IMPROPERLY GROUNDED GENERATOR, THE GENERATOR MUST STILL BE GROUNDED PER THE GROUNDING INSTRUCTIONS LISTED ON PAGE 12 FOR THE GFCI TO**

**FUNCTION PROPERLY AND PROTECT THE USER FROM ELECTRICAL FAULTS.**

Year	Jan.	Feb.	March	April	May	June	July	Aug.	Sept.	Oct.	Nov.	Dec.

**NOTE:** Situations exist where a GFCI will not afford any protection against the hazards of electrical shock. *EXAMPLE: if a person touches two or more conductors from a damaged cord set and is not in direct contact with the ground, he or she may receive a shock. Since there is no path to ground for a ground fault current to flow through, the GFCI will not operate and serious injury may result.* The GFCI are merely an added safety feature. There are no substitutes for good safety precautions, correct electrical practices and proper maintenance of cords, equipment and connections.

**ENGINE:**

The engine for this generator is governed to operate at speeds close to 3600 RPM (60Hz) throughout the operating load range. The no load speed (before a load is applied) will be just a bit higher than the load speed and is normally set to 3750 RPM.



**WARNING: DO NOT TAMPER WITH THE GOVERNOR MECHANISM, CHANGE THE SETTING EXPERIMENTALLY, OR PUSH THE THROTTLE OPEN IN AN ATTEMPT TO GENERATE MORE ELECTRICAL CURRENT; EQUIPMENT DAMAGE OR PERSONAL INJURY MAY RESULT.**

**GOVERNOR SPEED ADJUSTMENT SHOULD BE MADE ONLY BY A JOHN DEERE CUSTOMER SERVICE REPRESENTATIVE.**

**CHANGING ENGINE OIL:**

Change oil after initial 50 hours. Thereafter it should be changed every 200 hours of operation.

Drain as follows:

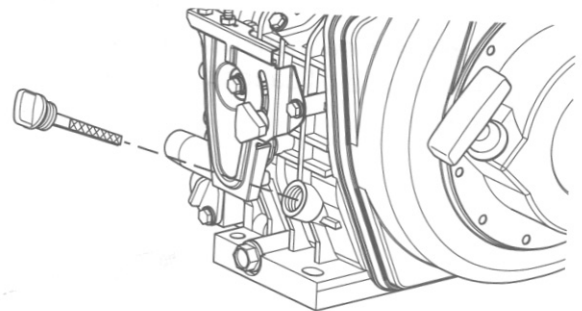
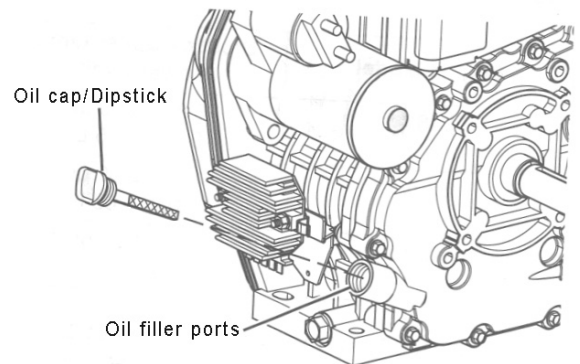
1. Make sure the engine is level.
2. Start the engine and bring it up to operating temperature.
3. Stop the engine.
4. Remove the oil cap/dipstick to allow the engine oil to drain more easily.
5. Position a container under the engine to collect waste oil.
6. Remove the drain plug located on the bottom of the cylinder block. Allow oil to drain.
7. After all oil has been drained from the engine, install the drain plug and tighten to 14-17 ft lbs.
8. Dispose of used oil properly.

**TO FILL WITH OIL:**

1. Make sure engine is level.
2. Remove oil cap/dipstick.
3. Add indicated amount of engine oil at either one of the engine oil filler ports.
4. Wait one minute and check oil level.
5. Add more oil if necessary.
6. Fully reinsert oil cap/dipstick and hand tighten. Overtightening the oil cap/dipstick will damage it.



**CAUTION: OIL BEING DRAINED MAY BE HOT. TO REDUCE THE RISK OF BURN INJURY, HANDLE WITH CARE. DISPOSE OF USED OIL PROPERLY.**



**AIR CLEANER:**

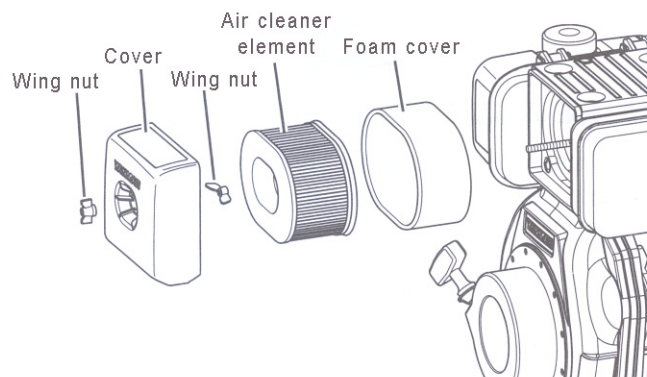
**WARNING: RISK OF FIRE OR EXPLOSION. DO NOT USE DIESEL FUEL OR LOW FLASH-POINT SOLVENTS TO CLEAN THE ELEMENT. CLEAN THE ELEMENT IN A WELL VENTILATED AREA. ENSURE THAT NO SPARKS OR FLAMES ARE NEAR THE WORKING AREA, THIS INCLUDES ANY APPLIANCE WITH A PILOT LIGHT.**



**CAUTION: NEVER RUN THE ENGINE WITHOUT THE AIR FILTER, SERIOUS DANGER CAN RESULT.**

The engine performance is adversely affected when the air cleaner element is clogged with dust. Be sure to clean the air filter element periodically.

1. Remove the wing nut.
2. Remove the air cleaner cover:
3. Remove the wing nut.
4. Remove the air cleaner element and outer foam element.
5. Blow air through both elements using 42-71 psi compressed air to remove the particulates. Use the lowest possible air pressure to remove the dust without damaging elements.
6. If either element is damaged replace both of them (they are not sold individually).
7. Clean the inside of the air cleaner cover.
8. Install the air cleaner element into the air cleaner case.
9. Slide the outer foam element over the air cleaner element.
10. Install the wing nut and hand tighten. Overtightening the wing nut will damage the air cleaner assembly.
11. Install the air cleaner cover.
12. Install the wing nut and hand tighten. Overtightening the wing nut will damage the air cleaner assembly.

**PERIODIC MAINTENANCE CHART:**

To ensure satisfactory operation over an extended period of time, an engine requires normal maintenance at regular intervals. The Periodic Maintenance Chart that follows shows periodic inspection and maintenance items and suitable intervals. The bullet mark designates that the corresponding item should be performed at that interval.

**NOTE: Some adjustments require the use of special tools or other equipment. An electronic tachometer will facilitate setting idle and running speeds.**



Service

	Daily	Every 25hrs.	Every 100 hrs.	Every 200 hrs.	Before Storage
Check fuel	•				
Check engine oil	•				
Check for loose or lost nuts and bolts	•				
Check for leaks	•				
Check cylinder and head fins for dust and dirt	•				
Check battery electrolyte level	•				
Check fuel lines (replace if necessary)	•				
Clean air cleaner foam element (**)		•			
Tighten nuts and bolts (*)			•		
Change engine oil (*)				•	
Clean fuel filter			•		
Replace air cleaner paper element (**)			•		
Clean dust and dirt from cylinder and cylinder head fins (**)			•		
Add fuel stabilizer					•
Run unit dry					•

\* Perform these operations after the first 50 hours of use, then at the recommended intervals.

\*\* Service more frequently under dusty conditions.

**NOTE: These items must be performed with the proper tools. See your John Deere Customer Service Representative for service, unless you have the proper equipment and mechanical proficiency.**

# Storage

## STORING GENERATOR

### SHORT TERM (1-6 MONTHS):

1. Add diesel fuel conditioner and stabilizer at the specified concentration.
2. Run the unit for two (2) minutes to ensure the mixed fuel is in the entire fuel system. Close the fuel valve and run the unit until it stops.
3. Clean the exterior surface of the generator and apply a rust inhibitor.
4. Store the generator in a dry, well ventilated place.

### LONG TERM (MORE THAN 6 MONTHS):

1. Add diesel fuel conditioner and stabilizer at the specified concentration.
2. Run the generator until the fuel tank and carburetor is dry.
3. Slowly pull the recoil starter handle out to the point of resistance (the point in the compression stroke where the intake and exhaust valves are closed). This helps to prevent rust while the engine is not in use.
4. Clean the exterior surface of the generator and apply a rust inhibitor.
5. Store the generator in a dry, well ventilated place.

 **WARNING: FUEL SHOULD BE DRAINED IN A WELL VENTILATED AREA AND STORED IN A CONTAINER APPROVED FOR DIESEL FUEL.**

# Specifications

## SPECIFICATIONS

ITEM	SPECIFICATION
	<b>AC-G6000DY</b>
Engine	Yanmar
Watts (AC) Rated	5000 watts
Watts (AC) Max.	6000 watts
Rated Voltage (AC)	120/240V
Max. Amperage	50/25
Cont. Amperage	41.7/20.8
Frequency	60 Hz
Fuel Tank Capacity	2.7 gal.
Run Time Hours / Tank of Fuel*	6.5 hrs.
Battery for Electric Start	#32-0058

\* Rated at 0% Load

**NOTE:** Unit ratings are established based on operation at standard conditions of 60° F and at sea level. The performance of the generator must be de-rated for temperature and altitude by 1% for every 10° F above 60° F and 3.5% for every 1000 feet above sea level. Due to the operational characteristics of the thermal type circuit breaker, the power available from the generator will decrease slightly with a corresponding increase in ambient temperature.

**Due to continuing product improvements, specifications are subject to change without notice.**

# Accessories

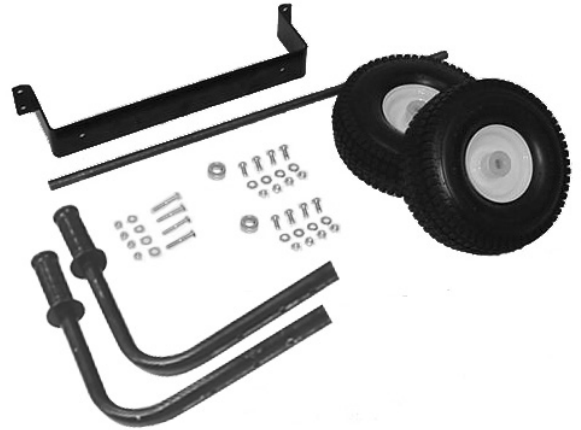
## LIFTING HOOK KIT: AW-5090-0007

Used for lifting the generator safely. The Lifting Hook Kit includes the lifting hook, hardware and instructions needed to assemble the lifting hook to the generator.



## WHEEL AND HANDLE KIT: AW-5740-0011

Allows easier portability of the generator. The Wheel and Handle Kit includes the wheels, handles, hardware and instructions needed to assemble the kit to the generator.



## RECORD SERIAL NUMBER


Write your model number, machine serial number and date of purchase in the spaces provided below. Your dealer needs this information when ordering parts.

Model No. \_\_\_\_\_

Machine Serial No. \_\_\_\_\_

Date of Purchase \_\_\_\_\_

(To be filled in by purchaser)

GENERATOR			
MODEL NO.	<input type="text"/>	SERIAL NO.	<input type="text"/>
CONTINUOUS OUTPUT, W	<input type="text"/>	DATE CODE	<input type="text"/>
VOLT, V	<input type="text"/>	INSULATION CLASS	<input type="text"/>
AMP, A	<input type="text"/>	RATED RPM	<input type="text"/>
FREQUENCY, Hz	<input type="text"/>	MAX. AMBIENT TEMP., °C	<input type="text"/>
		FOR ELECTRICAL EQUIPMENT ONLY POUR MATERIEL ELECTRIQUE SEULEMENT	
201473		Made in U.S.A.      34-0075-100300-ENG.	

# Warranty

## STATEMENT OF WARRANTY

The manufacturer warrants all parts, (except those referred to below), of your new generator to be free from defects in materials and workmanship during the following periods:

For Two (2) Years from the date of original purchase.

Defective parts not subject to normal wear and tear will be repaired or replaced at our option during the warranty period. In any event, reimbursement is limited to the purchase price paid.

### EXCLUSIONS

1. Engine/Motor and Generator are covered under separate warranty by its respective manufacturer and is subject to the terms set forth therein.
2. This warranty does not cover parts damaged due to normal wear, misapplication, misuse, operation at other than recommended. Failure to follow recommended operating and maintenance procedures also voids warranty.
3. The use of other than genuine manufacturer repair parts will void warranty.
4. Parts returned, prepaid to our factory or to an Authorized John Deere Service Center will be inspected and replaced free of charge if found to be defective and subject to warranty. There are no warranties which extend beyond the description of the face hereof. Under no circumstances shall the manufacturer bear any responsibility for loss of use of the unit, loss of time or rental, inconvenience, commercial loss or consequential damages.

For Service or Warranty Consideration, contact  
Mi-T-M® Corporation, 8650 Enterprise Drive, Peosta, IA 52068  
1-877-JD-KLEEN / (1-877-535-5336) Fax 563-556-1235  
Monday - Friday 8:00 a.m. - 5:00 p.m. CST

**CALIFORNIA EMISSIONS CONTROL WARRANTY STATEMENT  
YOUR WARRANTY RIGHTS AND OBLIGATIONS**

The California Air Resources Board and John Deere are pleased to explain the emissions control system warranty on your small off-road engine (SORE). In California, new SOREs must be designed, built and equipped to meet the State's stringent anti-smog standards. John Deere must warrant the emissions control system on your SOREs for the periods of time listed below provided there has been no abuse, neglect or improper maintenance of your SOREs.

Your emissions control system may include parts such as the carburetor or fuel-injection system, fuel lines and the ignition system. Also included may be hoses, clamps, connectors and other associated components.

Where a warrantable condition exist, John Deere will repair your small off-road engine at no cost to you including diagnosis, parts and labor.

**MANUFACTURER'S WARRANTY COVERAGE:**

This emissions control system is warranted for two years. If any emissions-related part on your engine is defective, the part will be repaired or replaced by John Deere.

**OWNER'S WARRANTY RESPONSIBILITIES:**

-As the SORE owner, you are responsible for performance of the required maintenance listed in your owner's manual. John Deere recommends that you retain all receipts covering maintenance on your SORE, but John Deere cannot deny warranty solely for the lack of receipts.

-As the SORE owner, you should however be aware that John Deere may deny you warranty coverage if your SORE or a part has failed due to abuse, neglect, or improper maintenance or unapproved modifications.

-You are responsible for presenting your SORE to distribution center or service center authorized by John Deere Corporation, 8650 Enterprise Drive, Peosta, IA 52068 (herein Mi-T-M) as soon as the problem exists. The warranty repairs should be completed in a reasonable amount of time, not to exceed 30 days.

If you have a question regarding your warranty coverage, you should contact John Deere Customer Service Department at 1-800-553-9053.

**GENERAL EMISSIONS WARRANTY COVERAGE  
- California Only -**

John Deere warrants to the ultimate purchaser and each subsequent purchaser that the SORE (1) has been designed, built and equipped so as to conform with all applicable regulations; and (2) is free from defects in materials and workmanship that cause the failure of a warranted part to conform with those regulations as may be applicable to the terms and conditions stated below.

- (a) The warranty period begins on the date the engine is delivered to an ultimate purchaser or first placed into service. The warranty period is two years.
- (b) Subject to certain conditions and exclusions as stated below, the warranty on emissions related parts is as follows:
- (1) Any warranted part that is not scheduled for replacement as required maintenance in your owner's manual is warranted for the warranty period stated above. If the part fails during the period of warranty coverage, the part will be repaired or replaced by John Deere according to subsection (4) below. Any such part repaired or replaced under warranty will be warranted for the remainder of the period.
  - (2) Any warranted part that is scheduled only for regular inspection in your owner's manual is warranted for the warranty period stated above. Any such part repaired or replaced under warranty will be warranted for the remaining warranty period.
  - (3) Any warranted part that is scheduled for replacement as required maintenance in your owner's manual is warranted for the period of time before the first scheduled replacement date for that part. If the part fails before the first scheduled replacement, the part will be repaired or replaced by John Deere according to subsection (4) below. Any such part repaired or replaced under warranty will be warranted for the remainder of the period prior to the first scheduled replacement point for the part.
  - (4) Repair or replacement of any warranted part under the warranty provisions herein must be performed at a warranty station at no charge to the owner.
  - (5) Notwithstanding the provisions herein, warranty services or repair will be provided at all of our distribution centers that are franchised to service the subject engines.
  - (6) The owner must not be charged for diagnostic labor that leads to the determination that a warranted part is in fact defective, provided that such diagnostic work is performed at a warranty station.
  - (7) John Deere is liable for damages to other engine components proximity caused by a failure under warranty of any warranted part.
  - (8) Throughout the engine warranty period stated above, John Deere will maintain a supply of warranted parts sufficient to meet the expected demand for such parts.
  - (9) Any replacement part may be used in the performance of any warranty maintenance or repairs and must be provided without charge to the owner. Such use will not reduce the warranty obligations of John Deere.
  - (10) Add-on or modified parts that are not exempted by the Air Resources Board may not be used. The use of any non-exempted add-on or modified parts by the ultimate purchaser will be grounds for disallowing a warranty claims. John Deere will not be liable to warrant failures of warranted parts caused by the use of a non-exempted add-on or modified part.

(c) **WARRANTED PARTS:**

The repair or replacement of any warranted part otherwise eligible for warranty coverage may be excluded from such warranty coverage if John Deere demonstrates that the engine has been abused, neglected, or improperly maintained, and that such abuse, neglect, or improper maintenance was the direct cause of the need for repair or replacement of the part. That notwithstanding, any adjustment of a component that has a factory installed, and properly operating, adjustment limiting device is still eligible for warranty coverage. The following emissions warranty parts list are covered.

- (1) Fuel Metering System/
  - (A) Carburetor and internal parts (and/or pressure regulator or fuel injection system)./
  - (B) Air/fuel ratio feedback and control system, if applicable./
  - (C) Cold start enrichment system, if applicable./
  - (D) Regulator assy (gaseous fuel, if applicable)
- (2) Air Induction System/
  - (A) Intake manifold, if applicable/
  - (B) Air filter.
- (3) Ignition System/
  - (A) Spark plugs. /
  - (B) Magneto or electronic ignition system. /
  - (C) Spark advance/retard system, if applicable.
- (4) Exhaust manifold, if applicable
- (5) Evaporation System /
  - (A) Fuel line /
  - (B) Fuel line fittings

# Introduction

MERCI de la confiance témoignée par l'achat d'un produit John Deere.

Lire ce manuel attentivement afin de pouvoir utiliser et entretenir correctement votre appareil, sinon des dommages corporels ou matériels pourraient en résulter.

Ce manuel doit être considéré comme faisant partie intégrante de votre appareil et doit l'accompagner en cas de revente.

LES MESURES dans ce manuel sont indiquées à la fois dans leurs équivalents métriques et en unités usuelles des USA. Utiliser seulement les pièces de rechange et les éléments de fixation corrects. Les éléments de fixation métriques et en pouces peuvent nécessiter des clés spécifiques à leurs système d'unités.

Les côtés DROITS ET GAUCHES de l'appareil sont déterminés en faisant face au côté moteur de l'appareil.

Le NUMÉRO DE SÉRIE de l'appareil se situe dans la section Caractéristiques ou Numéros d'Identification. Noter correctement tous les numéros afin de faciliter les recherches en cas de vol. Les communiquer également au concessionnaire lors de toute commande de pièces. Ranger les numéros d'identification dans un endroit sûr et séparé de l'appareil.

LA GARANTIE fait partie du programme de soutien John Deere destiné aux clients qui utilisent et entretiennent leur équipement tel qu'il est décrit dans ce manuel. Les conditions de garantie dont bénéficie cet appareil figurent sur le certificat de garantie dans ce manuel.

Cette garantie vous fournit l'assurance que votre concessionnaire fournira du support pour les produits où des défauts apparaîtraient au cours de la période de garantie. Toute utilisation abusive de l'équipement ou modification visant à dépasser les performances spécifiées par le constructeur annuleront la garantie.

## AVERTISSEMENT

Le gaz d'échappement du moteur de cet appareil contient des produits chimiques qui sont connus par l'état de Californie comme étant la cause de cancer, de défauts de naissance et d'autres problèmes reproductifs.

## AVERTISSEMENT

Ce produit contient un ou plusieurs produits chimiques qui sont connus par l'état de Californie comme étant la cause de cancer, de défauts de naissance et d'autres problèmes reproductifs.

## WARNING

**AVERTISSEMENT:** Ce produit contient du plomb, un produit chimique qui est connu par l'état de Californie comme étant la cause de cancer et de malformations congénitales ou autres effets nocifs de reproduction.

*Laver vos mains après avoir manipulé ce produit.*

# Table des matières

	Page
Sécurité .....	33
Étiquettes de sécurité .....	34
Commandes .....	40
Préparation du groupe électrogène .....	41
Fonctionnement .....	47
Dépannage .....	51
Entretien .....	52
Remisage .....	56
Caractéristiques .....	56
Accessories.....	57
Garantie .....	58

*Toutes les informations, illustrations et caractéristiques contenues dans la présente publication sont à jour au moment de la publication, le constructeur se réservant le droit d'apporter sans notification toute modification jugée appropriée.*



# Sécurité

## RECONNAITRE LES SYMBOLES DE SÉCURITÉ

Voici le symbole d'alerte de sécurité. Lorsqu'il apparaît sur votre appareil ou dans ce manuel, rester conscient du risque potentiel de blessures.

Respecter tous les conseils de sécurité ainsi que les consignes générales de prévention des accidents.



## COMPRENDRE LES MOTS D'ALERTE

Un mot d'alerte—DANGER, AVERTISSEMENT ou ATTENTION—est utilisé avec le symbole d'alerte de sécurité. Le terme DANGER identifie les dangers les plus graves.

Les signes de sécurité avec DANGER ou AVERTISSEMENT se trouvent près des dangers spécifiques. Les signes de sécurité avec ATTENTION se réfèrent à des précautions d'ordre général. Le terme ATTENTION demande aussi de prêter attention aux messages de sécurité dans ce manuel.



## RESPECTER LES CONSEILS DE SÉCURITÉ

Lire attentivement tous les conseils de sécurité contenus dans ce manuel et ceux apposés sur l'appareil. Veiller à ce que les signes de sécurité soient lisibles. Remplacer ceux qui manqueraient ou seraient endommagés. S'assurer que les nouveaux composants ou pièces de rechange incluent les signes de sécurité courants. Des signes de rechange sont disponibles chez votre concessionnaire John Deere.

Apprendre à faire fonctionner l'appareil et à utiliser les commandes correctement. Ne laisser aucune personne se servir de l'appareil sans instruction.

Maintenir votre appareil en bonne condition de marche. Toute modification illicite de votre appareil risque d'en affecter son fonctionnement et/ou sa sécurité ainsi que d'en réduire sa durée de vie.

Si vous ne comprenez pas toute partie de ce manuel et avez besoin d'assistance, prenez contact avec votre concessionnaire John Deere.





## OXYDE DE CARBONE – GAZ TOXIQUE

Utiliser le groupe électrogène dehors, loin de fenêtres ouvertes, de conduits d'aération, ou de portes.

Le gaz d'échappement du groupe électrogène contient de l'oxyde de carbone – un gaz toxique qui peut vous tuer. Vous **NE POUVEZ PAS** sentir ou voir ce gaz.

Ne jamais se servir d'un groupe électrogène dans des espaces fermés ou partiellement fermés. Les groupes électrogènes peuvent produire de hauts niveaux d'oxyde de carbone très rapidement. Pendant l'utilisation d'un groupe électrogène portable, se rappeler que vous ne pouvez pas sentir ou voir l'oxyde de carbone. Même si vous ne sentez pas les gaz d'échappement, vous pouvez tout de même être exposé à l'oxyde de carbone.

Si vous commencez à vous sentir malade, étourdi, ou faible pendant l'utilisation d'un groupe électrogène, sortez au grand air immédiatement. **NE PAS ATTENDRE.** L'oxyde de carbone provenant des groupes électrogènes peut rapidement être la cause d'une incapacité complète ou de mort.

En cas des symptômes sérieux, trouver de l'aide médicale immédiatement. Informer le personnel médical qu'une intoxication à l'oxyde de carbone est possible. Si vos symptômes sont apparus à l'intérieur, ne pas retourner dans le bâtiment avant que les sapeurs pompiers s'assurent que le bâtiment est sans danger.

**NE JAMAIS** utiliser le groupe électrogène dans une atmosphère explosible, près de matériaux combustibles ou dans un endroit où la ventilation n'est pas suffisante pour évacuer les gaz d'échappement. Les gaz d'échappement peuvent être la cause de blessures graves ou de mort.

**NE JAMAIS** se servir d'un groupe électrogène à l'intérieur, que ce soit dans des maisons, garages, sous-sols, vides de comble ou vides sanitaire, et autres espaces fermés ou partiellement fermés, même avec ventilation. Le fait d'ouvrir des fenêtres et des portes ou d'utiliser des ventilateurs n'empêchera pas l'accumulation d'oxyde de carbone dans la maison.

Suivre les instructions qui accompagnent votre groupe électrogène. Placer l'appareil dehors et loin des portes, fenêtres, et conduits d'aération qui pourraient permettre au gaz d'oxyde de carbone d'entrer à l'intérieur.

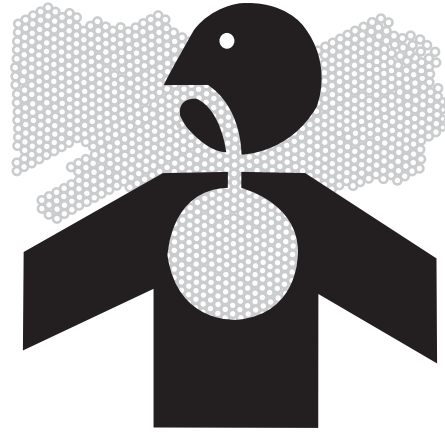
Courez **SEULEMENT** le générateur dehors et loin des entrées d'air.

Ne courez jamais le générateur à l'intérieur des maisons, des garages, des hangars, ou d'autres espaces de semi-finale-enclosed. Ces espaces peuvent emprisonner les gaz toxiques **MÊME SI** vous courez un ventilateur ou ouvrez des portes et des fenêtres.

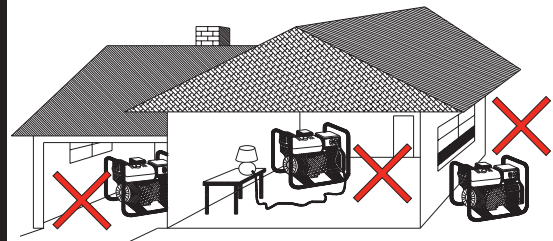
Si vous commencez à vous sentir malade, étourdi, ou faible tout en utilisant le groupe électrogène, a fermé si au loin et obtient l'air frais **TOUT DE SUITE.** Voir le docteur. Vous pouvez avoir l'empoisonnement d'oxyde de carbone.

Installer des alarmes d'oxyde de carbone à piles ou des alarmes d'oxyde de carbone avec batterie de secours qui se branche dans votre maison, selon les instructions d'installation du fabricant. Les alarmes d'oxyde de carbone doivent être conforme aux exigences des dernières normes de sécurité pour les alarmes d'oxyde de carbone. (UL 2034, IAS 6-96, ou CSA 6.19.01).

Tester votre alarme d'oxyde de carbone fréquemment et remplacer les piles à plat.



**DANGER / PELIGRO**



• DO NOT USE INDOORS OR OUTSIDE OPEN WINDOWS FUMES CAN KILL YOU!  
• NE PAS UTILISER À L'INTÉRIEUR OU À L'EXTÉRIEUR DES FENÊTRES OUVERTES. LES VAPEURS DE GAZ PEUVENT VOUS TUER!  
• ¡NO USE ADENTRO O AFUERA DE VENTANAS ABIERTAS LOS GASES PUEDEN MATARLE!

34-1563-E/F/S-062104-ENG.



## CONSIGNES DE SÉCURITÉ LORS DU RAVITAILLEMENT EN CARBURANT

L'essence est extrêmement inflammable et ses vapeurs peuvent exploser si on l'enflamme.

Respecter tous les règlements de sécurité concernant la manipulation sans danger de carburant. Manier le carburant dans des récipients de sécurité. Si le récipient n'a pas de bec, se servir d'un entonnoir.

Ne pas trop remplir le réservoir de carburant, laisser toujours de la place pour que le carburant se dilate.

Ne jamais remplir le réservoir de carburant lorsque le moteur tourne. Arrêter le groupe électrogène et lui permettre de refroidir avant de le ravitailler en carburant. L'essence renversée sur les parties chaudes du moteur pourrait s'enflammer.

Ne remplir le réservoir de carburant que sur une surface nue. Lors du ravitaillement en carburant, écarter le réservoir de toute source de chaleur, d'étincelles ou de flammes nues. Nettoyer soigneusement toute essence renversée avant de démarrer le moteur.

Remplir toujours le réservoir de carburant dans un endroit avec une bonne ventilation pour éviter d'inhaler des vapeurs dangereuses.

N'entreposer JAMAIS le carburant de votre groupe électrogène dans la maison.

L'essence, le propane, le kérosène, et autres liquides inflammables doivent être entreposés en dehors des espaces habités dans des récipients de sécurité (pas en verre) clairement étiquetés. Ne pas les entreposer près d'un appareil alimenté en combustible, tel qu'un chauffe-eau au gaz naturel dans un garage. Si du carburant est renversé ou si le récipient n'est pas fermé correctement, des vapeurs invisibles provenant du carburant peuvent voyager le long du sol et peuvent être enflammées par la veilleuse de l'appareil ou par des arcs des interrupteurs électriques dans l'appareil.



## PROTECTION PAR DISJONCTEUR DIFFÉRENTIEL

Ces groupe électrogènes sont équipées de deux prises de courant double de 120V avec disjoncteur différentiel (GFCI) pour offrir de la protection contre les risques de chocs électriques causés par des accessoires défectueux tels que des outils, des cordons ou des câbles.



**AVERTISSEMENT : LE DISJONCTEUR DIFFÉRENTIEL RISQUE DE NE PAS FONCTIONNER SI LE GROUPE ÉLECTROGÈNE N'EST PAS CORRECTEMENT RELIÉ À LA TERRE. RESPECTER LA MÉTHODE CORRECTE DE RACCORDEMENT À LA TERRE QUI EST SPECIFIÉE DANS LA PARTIE INTITULÉE "INSTRUCTIONS DE MISE À LA TERRE."**

Le disjoncteur différentiel est un coupe-circuit spécial qui, en cas de courant parasite allant à la terre, coupe le courant venant du secteur ou du groupe électrogène.



**AVERTISSEMENT: SEULES LES PRISES DE COURANT DOUBLE DE 120V SONT PROTÉGÉES PAR LE DISJONCTEUR DIFFÉRENTIEL.**

Un disjoncteur différentiel (GFCI) ne peut être utilisé qu'avec les groupe électrogènes qui ont le fil neutre relié au châssis en interne et le châssis lui-même correctement mis à la terre. Un disjoncteur différentiel (GFCI) ne marchera pas avec les groupes électrogènes qui n'ont pas le fil neutre relié au châssis en interne, ou avec les groupes électrogènes qui n'ont pas été relié à la terre correctement. Tous les groupes électrogènes John Deere ont des fils de mise à la terre interne. Un disjoncteur différentiel (GFCI) ne fonctionnera pas si l'appareil n'est pas relié à la terre correctement.

Un disjoncteur différentiel (GFCI) peut être exigé par les règlements de OSHA (loi sur la santé et la sécurité du travail), le Code Electrique Nationale et/ou les codes locaux et fédéraux lors de l'utilisation d'un groupe électrogène.

Pour une meilleure protection contre les risques de chocs électriques par de l'équipement défectueux branché sur des prises à verrouillage par rotation, il faut considérer la possibilité d'utiliser un disjoncteur différentiel pour chacune de ces prises également.

Les disjoncteurs différentiels (GFCI) et les cordons amovibles et câbles protégés par des disjoncteurs différentiels peuvent être achetés dans des magasins locaux de matériel électrique.



## RISQUES ÉLECTRIQUES

Ce produit doit être mis à la terre. Il y a un conducteur permanent entre la génératrice (enroulement du stator) et le cadre. En cas de mauvais fonctionnement ou de panne, la mise à la terre fournit un chemin de moindre résistance au courant électrique, réduisant ainsi les risques de choc électrique.



**DANGER - UN BRANCHEMENT INCORRECT DU CONDUCTEUR DE MISE À LA TERRE DE L'ÉQUIPEMENT PEUT ENTRAÎNER DES RISQUES D'ÉLECTROCUTION. VÉRIFIER AVEC UN DÉPANNÉUR OU UN ÉLECTRICIEN QUALIFIÉ EN CAS DE DOUTES CONCERNANT LA MISE À LA TERRE.**

Ce groupe électrogène est équipé d'une borne de terre pour votre protection. Finaliser toujours la liaison à la terre du groupe électrogène jusqu'à une prise de terre externe comme l'explique les instructions dans la section intitulée "Instructions de mise à la terre" dans la partie Préparation de ce manuel.

Le groupe électrogène est une source potentielle de choc électrique si il n'est pas gardé au sec. Maintenir le groupe électrogène au sec et ne pas l'utiliser par temps de pluie ou dans des conditions humides. Pour protéger le groupe électrogène contre l'humidité, s'en servir sur une surface sèche et sous une structure ouverte tel qu'un auvent. Ne jamais toucher le groupe électrogène avec les mains mouillées.

Risque de choc électrique en cas d'utilisation du groupe électrogène avec un disjoncteur différentiel (GFCI) défectueux. Tester le disjoncteur différentiel (GFCI) avant chaque utilisation. Voir les instructions d'utilisation pour plus d'information. Si le disjoncteur différentiel (GFCI) s'avère défectueux, NE PAS utiliser votre groupe électrogène. Contacter votre concessionnaire John Deere.

Brancher les appareils directement dans le groupe électrogène. Ou, se servir d'une rallonge renforcée et pour usage extérieur certifié (en watts ou en ampères) pour au moins la somme des consommations de tous les appareils branchés dessus. Vérifier que toute la rallonge est en bon état, sans entailles ou déchirures et que la fiche a bien trois broches, et surtout une lame de terre.

Ne JAMAIS essayer d'alimenter les circuits de la maison en branchant le groupe électrogène à une prise murale, une pratique connue sous le nom de "back feeding/ alimentation en retour". Ceci est une pratique extrêmement dangereuse qui présente un risque d'électrocution aux ouvriers d'entretien du réseau public et aux voisins desservis par le même transformateur de réseau. Ceci court-circuite également certains des dispositifs de protection intégrés dans l'installation électrique de la maison.

Si vous devez brancher le groupe électrogène au circuit d'alimentation électrique de la maison pour amener du courant aux appareils, faire installer l'équipement approprié par un électricien qualifié conformément aux codes électriques locaux. Ou, vérifier avec votre compagnie d'électricité pour voir si un commutateur de transfert inverseur de source peut être installé.

Pour les coupures de courant, des groupes électrogènes stationnaires en installation permanente sont mieux adaptés pour fournir une source d'énergie de secours pour votre maison. Même un groupe électrogène portable qui est branché correctement peut devenir surchargé. Les éléments constituant du groupe électrogène peuvent alors surchauffer ou être sous trop de pression avec la conséquence possible de défaillance du groupe électrogène.





## CONSEILS DE SÉCURITÉ IMPORTANTS

**AVERTISSEMENT:** Pour réduire le risque de blessures, lire ce manuel de l'utilisateur au complet avant l'utilisation du produit. Pendant l'utilisation de ce produit, les précautions de base suivantes doivent toujours être suivies:

1. Lire toutes les instructions avant d'utiliser ce produit.
2. Ce produit est muni d'un disjoncteur différentiel (GFCI) dans le cordon d'alimentation électrique afin de réduire les risques de choc électrique. Si le remplacement du cordon d'alimentation ou de la prise est nécessaire, n'utiliser que des pièces de rechange identiques.
3. Ne pas permettre à des enfants ou à des personnes non qualifiées de se servir de ce groupe électrogène.
4. Ne pas utiliser le groupe électrogène si vous êtes fatigués, en état d'ébriété ou sous l'influence de médicaments ou drogues. Rester vigilant et attentif à vos gestes.
5. Suivre les instructions d'entretien contenues dans ce manuel.
6. Lors du démarrage du groupe électrogène avec le lanceur à rappel, il faut s'assurer que rien ne risque d'être cogné par la main ou le bras de l'utilisateur.
7. S'assurer que l'interrupteur des outils électriques est en position d'arrêt (OFF) avant de les brancher sur le groupe électrogène.
8. Empêcher l'accès à la zone entourant l'appareil.
9. S'assurer que chaque personne utilisant ce groupe électrogène a reçu une formation adéquate pour le faire fonctionner en toute sécurité.
10. Do not operate the generator or any electrical tool in any 10. Ne pas faire fonctionner le groupe électrogène ou tout outil électrique dans un endroit où de l'eau ou des matières semblables entraînent un danger électrique pour l'utilisateur. Ne pas l'utiliser sur des surfaces mouillées, sous la pluie ou sous la neige.
11. S'assurer toujours que le groupe électrogène est bien stable et ne risque en aucun cas de glisser ou de se déplacer, mettant ainsi le personnel en danger.
12. Éviter de toucher le collecteur, le silencieux d'échappement ou le(s) cylindre(s) chaud(s). Se tenir à l'écart de toutes les pièces tournantes.
13. Sauf si l'outil ou l'appareil utilisé est à double isolation, il doit être mis à la terre par une prise correctement mise à la terre. (Voir Préparer le groupe électrogène, Instructions de mise à la terre). Les outils et appareils munis de prises à 3 broches doivent obligatoirement être branchés sur des rallonges et des prises murales à 3 trous. Avant d'utiliser tout appareil électrique, s'assurer qu'il est en bon état.
14. Pour faire l'essai d'un disjoncteur différentiel et assurer sa fiabilité, suivre les instructions de ce manuel.
15. Attention si vous utilisez cet équipement dans des espaces confinés. Les espaces confinés, sans ventilation d'air frais suffisante, risquent de contenir des gaz dangereux. Faire fonctionner un moteur à essence dans de tels cas peut provoquer une explosion et/ou une asphyxie mortelle.
16. Si votre groupe électrogène est équipé d'un chariot de transport, s'assurer que l'appareil est bien stable pendant l'utilisation et le transport afin d'éviter tout mouvement inattendu ou roulement.
17. Faire extrêmement attention en soulevant ce groupe électrogène. Ne pas utiliser les poignées de chariot pour soulever ce groupe électrogène, utiliser uniquement la barre de levage conçue à cet effet. Ce groupe électrogène est lourd et des moyens de levage appropriés doivent être employés.



## CONSERVER CES INSTRUCTIONS



## PORTER DES VÊTEMENTS DE PROTECTION

Porter des vêtements ajustés et un équipement de sécurité adapté au travail.

Porter un dispositif protecteur d'audition approprié tel que des couvre-oreilles ou des bouche-oreilles pour se protéger contre des bruits forts réprehensibles ou inconfortables.

La pleine attention de l'opérateur est requise afin d'utiliser l'équipement en toute sécurité. Ne pas porter des écouteurs de radio ou de musique tout en actionnant la machine.

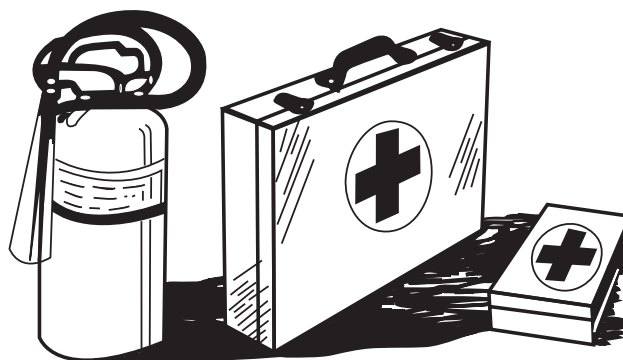


## PRÉPARATION POUR LES URGENCES

Garder une trousse des premiers secours et un extincteur à portée de la main.

Garder les numéros d'urgence des docteurs, du service d'ambulance, de l'hôpital et des pompiers en cas d'urgence près du téléphone.

Etre prêt si un incendie débute.



## INSPECTER LE GROUPE ÉLECTROGÈNE

S'assurer que tous les couvercles, gardes et plaques de protection sont serrés et bien en place.

Repérer toutes les commandes et les étiquettes de sécurité.

Inspecter le cordon de secteur pour déceler tout dommage avant utilisation. Il y a un risque de choc électrique en cas d'écrasement, de coupures ou de lésions dues à la chaleur.

## FAIRE L'ENTRETIEN DU GROUPE ÉLECTROGÈNE EN TOUTE SÉCURITÉ

Avant d'entretenir le groupe électrogène, débrancher tout l'équipement et la batterie (s'il en est équipé) et permettre à l'appareil de refroidir.

Faire l'entretien du groupe électrogène dans un endroit propre, sec et plat.



# ÉTIQUETTES DE SÉCURITÉ

<b>⚠ DANGER</b>	<b>⚠ DANGER</b>	<b>⚠ PELIGRO</b>
<p>Using a generator indoors <b>CAN KILL YOU IN MINUTES</b>. Generator exhaust contains carbon monoxide. This is a poison you cannot see or smell.</p>	<p>L'utilisation d'un groupe électrogène à l'intérieur <b>PEUT VOUS TUER EN QUELQUES MINUTES</b>.</p>	<p>Utilizando un generador adentro <b>PUEDO MATARLE EN MINUTOS</b>.</p>
	<p>Le gaz d'échappement du groupe électrogène contient de l'oxyde de carbone. C'est un gaz toxique que l'on ne peut pas voir ou sentir.</p>	<p>El escape de generador contiene monóxido de carbono. Este es un gas tóxico que usted no puede ver ni puede oler.</p>
<p><b>NEVER</b> use inside a home or garage, <b>EVEN IF</b> doors and windows are open.</p>	<p>Ne <b>JAMAIS</b> utiliser à l'intérieur d'une maison ou d'un garage, <b>MÊME SI</b> les portes et fenêtres s'ont ouvertes.</p>	<p>Nunca utilice dentro de un hogar ni el garaje, <b>INCLUSO SI</b> puertas y ventanas estén abiertas.</p>
<p>Only use <b>OUTSIDE</b> and far away from windows, doors, and vents.</p>	<p>N'utiliser qu'à l'<b>EXTÉRIEUR</b> et bien éloigné des fenêtres, portes, et conduits d'aération.</p>	<p>Solo utilice <b>AFUERAS</b> y lejos de ventanas abiertas, las puertas, y descargas.</p>

34-1916

<p><b>⚠ WARNING</b></p> <p><b>POISONOUS GAS</b> This product uses carbon monoxide, a poisonous gas that can kill you. You CANNOT see or smell carbon monoxide and may feel an headache, dizziness, nausea and may become unconscious.</p> <p><b>NEVER</b> use generator inside homes, garages, sheds, or other semi-enclosed spaces. These spaces can trap poisonous gases and prevent air from coming in and out.</p> <p><b>DO NOT</b> use in a confined space. <b>NEVER</b> use in a garage, even if doors and windows are open. <b>NEVER</b> use in a room with a fireplace, even if the fireplace is closed.</p> <p><b>DO NOT</b> use in a room with a generator, even if the generator is in a different room.</p> <p><b>NEVER</b> use in a room with a generator, even if the generator is in a different room.</p>	<p><b>⚠ AVERTISSEMENT</b></p> <p><b>POISONNEUX</b> Ce produit utilise du gaz de carbone, un gaz toxique que vous ne pouvez pas voir ni sentir. Vous ne pouvez pas voir ni sentir le gaz de carbone et vous pouvez ressentir des maux de tête, des étourdissements, des nausées et vous pouvez devenir inconscient.</p> <p><b>NE JAMAIS</b> utiliser le générateur à l'intérieur de maisons, garages, ateliers, ou autres espaces semi-enclosés. Ces espaces peuvent piéger les gaz toxiques et empêcher l'air frais de circuler.</p> <p><b>NE PAS</b> utiliser dans un espace clos.</p> <p><b>NE PAS</b> utiliser dans un garage, même si les portes et fenêtres sont ouvertes.</p> <p><b>NE PAS</b> utiliser dans une pièce avec une cheminée, même si la cheminée est fermée.</p> <p><b>NE PAS</b> utiliser dans une pièce avec un générateur, même si le générateur est dans une autre pièce.</p> <p><b>NE PAS</b> utiliser dans une pièce avec un générateur, même si le générateur est dans une autre pièce.</p>	<p><b>⚠ ADVERTENCIA</b></p> <p><b>COMBUSTIBLE EXPLOSIVO</b> Este producto utiliza gasolina, un combustible que puede explotar o quemarse. Mantenga siempre la unidad alejada de cualquier fuente de calor, como una vela encendida o una lámpara de aceite.</p> <p><b>NEVER</b> use generator inside homes, garages, sheds, or other semi-enclosed spaces. These spaces can trap poisonous gases and prevent air from coming in and out.</p> <p><b>DO NOT</b> use in a confined space. <b>NEVER</b> use in a garage, even if doors and windows are open. <b>NEVER</b> use in a room with a fireplace, even if the fireplace is closed.</p> <p><b>DO NOT</b> use in a room with a generator, even if the generator is in a different room.</p> <p><b>NEVER</b> use in a room with a generator, even if the generator is in a different room.</p>
---	---	---

34-1676

<p style="text-align: center;"><b>OPERATION</b></p> <p>Read unit Operator's Manual carefully before operating this unit. Always make sure unit is level and properly grounded. Check engine oil before starting.</p> <p><b>START-UP:</b></p> <ol style="list-style-type: none"> <li>1. Open fuel valve.</li> <li>2. Move engine speed control to the run position.</li> <li>3. Turn the key to start position, release as soon as it starts.</li> <li>4. Allow unit to warm-up (2 min.) before applying load.</li> <li>5. Turn main breaker ON to main position.</li> </ol> <p><b>SHUT-DOWN:</b></p> <ol style="list-style-type: none"> <li>1. Remove all electrical loads by turning off and unplugging cords.</li> <li>2. Turn key to off position.</li> <li>3. Depress stop lever on engine speed control.</li> <li>4. Close fuel valve.</li> </ol> <p>*For recoil start see engine manual.</p>	<p style="text-align: center;"><b>D'UTILISATION</b></p> <p>Lire soigneusement le manuel de l'utilisateur avant de se servir de l'appareil. S'assurer toujours que l'appareil est sur une surface plane et qu'il est correctement relié à la terre. Vérifier le niveau d'huile du moteur avant le démarrage. *Pour un démarrage avec lanceur à rappel, voir le manuel du moteur.</p> <p><b>DEMARRAGE:</b></p> <ol style="list-style-type: none"> <li>1. Ouvrir la soupape de carburant de l'appareil ou du moteur.</li> <li>2. Placer la commande de régime du moteur en position de marche.</li> <li>3. Tourner la clé jusqu'à la position de démarrage, puis la relâcher dès le démarrage.</li> <li>4. Permettre à l'appareil de tourner pendant deux (2) minutes pour qu'il se réchauffe avant d'appliquer une charge.</li> <li>5. Tourner l'interrupteur de secteur sur la position marche (ON).</li> </ol> <p><b>ARRÊT:</b></p> <ol style="list-style-type: none"> <li>1. Supprimer toutes les charges électriques en éteignant et en débranchant les raccords électriques.</li> <li>2. Tourner la clé jusqu'à la position d'arrêt.</li> <li>3. Abaisser le levier d'arrêt de la commande de régime du moteur.</li> <li>4. Fermer la soupape de carburant sur l'appareil ou le moteur.</li> </ol>	<p style="text-align: center;"><b>OPERACIÓN</b></p> <p>Lea manual de operador antes de operar esta unidad. Siempre asegúrese que unidad sea plana y conecta a tierra correcta. Revise el aceite de motor antes de empezando. *Para arranque de retroceso vea el manual de motor.</p> <p><b>OPERACIÓN:</b></p> <ol style="list-style-type: none"> <li>1. Abra válvula de combustible en unidad o motor.</li> <li>2. Mueva el control de la velocidad de motor a la posición de función.</li> <li>3. Gire la llave a la posición de arranque, solte tan pronto como lo comienza.</li> <li>4. Permita 2(min) para calentarse de la unidad antes de aplicando la carga.</li> <li>5. Doble cortacircuitos principal a posición de ON.</li> </ol> <p><b>ARRÊT:</b></p> <ol style="list-style-type: none"> <li>1. Quite todas cargas eléctricas como apagando y desconchufando las cuerdas.</li> <li>2. Gire el interruptor de la llave a la posición de OFF.</li> <li>3. Depprima la palanca de parada en el control de la velocidad de motor.</li> <li>4. Cierre válvula de combustible en unidad o motor.</li> </ol>
--	---	--

34-2324



34-0889

# Commandes

## COMMANDES



**A -- Réservoir de Carburant**

**B -- Panneau de Commande**

**C -- Bouchon de vidange d'huile**

**D -- Bouchon de Réservoir de Carburant**

**E-- Port de remplisseur d'huile**

**F-- Silencieux**



# Préparation du groupe électrogène

## INSTRUCTIONS DE MISE À LA TERRE

Ce produit doit être mis à la terre. En cas de mauvais fonctionnement ou de panne, la mise à la terre fournit un chemin de moindre résistance au courant électrique, réduisant ainsi les risques de choc électrique.



**DANGER - UN BRANCHEMENT INCORRECT DU CONDUCTEUR DE MISE À LA TERRE DE L'ÉQUIPEMENT PEUT ENTRAÎNER DES RISQUES D'ÉLECTROCUTION. VÉRIFIER AVEC UN DÉPANNÉUR OU UN ÉLECTRICIEN QUALIFIÉ EN CAS DE DOUTES CONCERNANT LA MISE À LA TERRE.**

Il faut obligatoirement utiliser la borne de terre et son écrou papillon pour connecter le châssis du groupe électrogène à une prise de terre adéquate. Le raccordement à la terre devra être effectué avec du fil Numéro 8. Mettre la cosse du fil de terre entre les deux rondelles éventail et l'écrou papillon et serrer l'écrou papillon complètement. Relier solidement l'autre extrémité du fil de terre à une prise de terre adéquate.

Le code national électrique contient plusieurs exemples pratiques de création d'une prise de terre. Les exemples ci-dessous illustrent quelques unes des méthodes de création d'une bonne prise de terre.

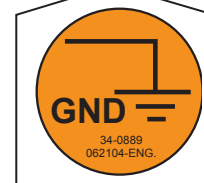
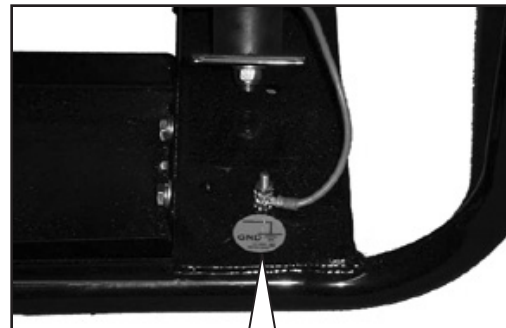
Une conduite d'eau souterraine métallique en contact direct avec la terre sur au moins 10 pieds (3 mètres) peut être utilisée comme terre. Si une conduite d'eau n'est pas disponible, on pourra utiliser une tige ou un tuyau de 8 pieds (2m50) de long. Dans le cas d'un tuyau, ce dernier devra avoir un diamètre d'au moins  $\frac{3}{4}$  de pouce avec une surface extérieure anticorrosion. Dans le cas d'une tige en fer ou en acier, le diamètre minimal sera de  $\frac{5}{8}$  pouce; dans le cas d'une tige en métal non ferreux, cette dernière devra avoir un diamètre minimal de  $\frac{1}{2}$  pouce et son métal devra figurer sur la liste des métaux agréés pour la mise à la terre. Enfoncer le tuyau ou la tige dans le sol jusqu'à une profondeur de 8 pieds (2m50). Si l'on rencontre de la roche à moins de 4 pieds (1m25), enterrer le tuyau ou la tige dans une tranchée. Tous les outils électriques et les appareils raccordés à ce groupe électrogène devront obligatoirement soit être mis à la terre au moyen d'un fil de terre, soit être à double isolation.

IL EST RECOMMANDÉ DE:

1. D'utiliser des appareils électriques munis de cordons d'alimentation à 3 broches.
2. D'utiliser une rallonge munie d'une prise à 3 trous et d'une fiche à 3 broches à ses extrémités opposées afin d'assurer la continuité de la ligne de terre entre le groupe électrogène et l'appareil.

Nous recommandons fortement de vérifier et de respecter la bonne application de toutes les réglementations fédérales, d'état et locales relatives aux spécifications de mise à la terre.

## COMMUTATEUR DE TRANSFERT INVERSEUR DE



## SOURCE

Si le groupe électrogène est destiné à être utilisé en secours, il doit obligatoirement y avoir un commutateur de transfert inverseur de source entre le réseau électrique principal et le groupe électrogène. Ce commutateur non seulement empêche le courant de ce réseau de parvenir au groupe électrogène, mais il empêche aussi le groupe électrogène d'alimenter les lignes de la compagnie d'électricité. Ceci afin de protéger tout réparateur effectuant une intervention sur une ligne endommagée.

**CETTE INSTALLATION DOIT ÊTRE EFFECTUÉE PAR UN ÉLECTRICIEN LICENCIÉ EN RESPECTANT OBLIGATOIREMENT TOUS LES CODES LOCAUX.**

## HUILE POUR MOTEUR

**ATTENTION: N'UTILISER QUE L'HUILE POUR MOTEUR SPÉCIFIÉE. TOUTE AUTRE HUILE POUR MOTEUR PEUT AVOIR UNE INCIDENCE SUR LA COUVERTURE DE LA GARANTIE, PEUT ENTRAÎNER UN GRIPPAGE DES PIÈCES INTERNES DU MOTEUR OU PEUT RACCOURCIR LA DURÉE DE VIE UTILE DU MOTEUR.**

**EMPÊCHER QUE DES SALETÉS OU DES DÉBRIS CONTAMINENT L'HUILE POUR MOTEUR. NETTOYER SOIGNEUSEMENT LE BOUCHON JAUGE À HUILE ET LA ZONE ENVIRONNANTE AVANT DE RETIRER LE BOUCHON.**

**NE JAMAIS MÉLANGER DIFFÉRENTS TYPES D'HUILE POUR MOTEUR. CECI PEUT AVOIR UN EFFET NUISIBLE SUR LES PROPRIÉTÉS LUBRIFIANTES DE L'HUILE POUR MOTEUR.**

**NE JAMAIS TROP REMPLIR. LE FAIT DE TROP REMPLIR PEUT ENTRAÎNER UNE FUMÉE D'ÉCHAPPEMENT BLANCHE, UNE SURVITESSE DU MOTEUR OU DES DOMMAGES INTERNES.**

## CARACTERISTIQUES DE L'HUILE POUR MOTEUR

Utiliser une huile pour moteur qui satisfait ou qui dépasse les indications et les classifications suivantes :

### CATÉGORIES DE SERVICE

- Service API Catégories CD ou supérieures
- Service ACEA Catégories E-3, E-4, et E-5
- JASO (Organisations de Standard Automobile Japonais)

### NOTES:

1. S'assurer que l'huile pour moteur, les conteneurs de stockage d'huile pour moteur et que le matériel de remplissage d'huile sont libres de dépôts et d'eau.
2. Changer l'huile du moteur après les premières 50 heures

d'opération et toutes les 200 heures par la suite.

3. Select the oil viscosity based on the ambient temperature where the engine is being operated. See SAE Service Grade Viscosity Chart.
4. Yanmar ne recommande pas l'utilisation d'additif pour huile de moteur.

### VISCOSITÉ D'HUILE POUR MOTEUR.

Sélectionner la viscosité d'huile appropriée selon la température ambiante et utiliser le tableau d'indice SAE de viscosité.

#### POUR REMPLIR AVEC DE L'HUILE:

1. S'assurer que le moteur est sur une surface plane.
2. Retirer le bouchon jauge à huile de l'une ou l'autre location et essuyer avec un chiffon propre.
3. Ajouter la quantité indiquée d'huile pour moteur dans l'un ou l'autre orifice de remplissage d'huile.
4. Attendre une minute et vérifier le niveau d'huile.
5. Ajouter plus d'huile si nécessaire.
6. Réinsérer complètement le bouchon jauge à huile et serrer à la main. Le fait de trop serrer le bouchon jauge à huile l'endommagera.

### CAPACITÉ (TYPIQUE) D'HUILE POUR MOTEUR

MODEL #	DIPSTICK UPPER LIMIT/ LOWER LIMIT
L100V	1.7/1.06 QT (1.6/1.0L)

Ce qui suit est la capacité d'huile pour moteur de divers moteurs des séries Yanmar LV.

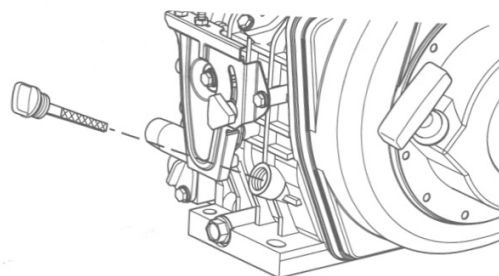
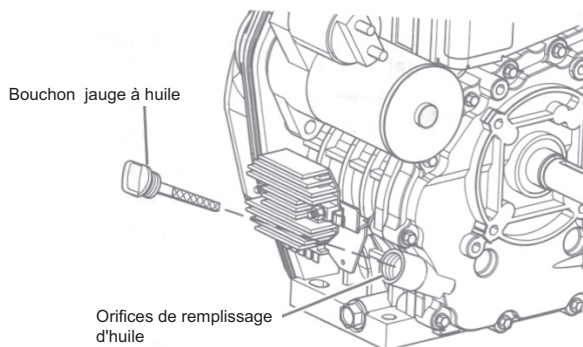
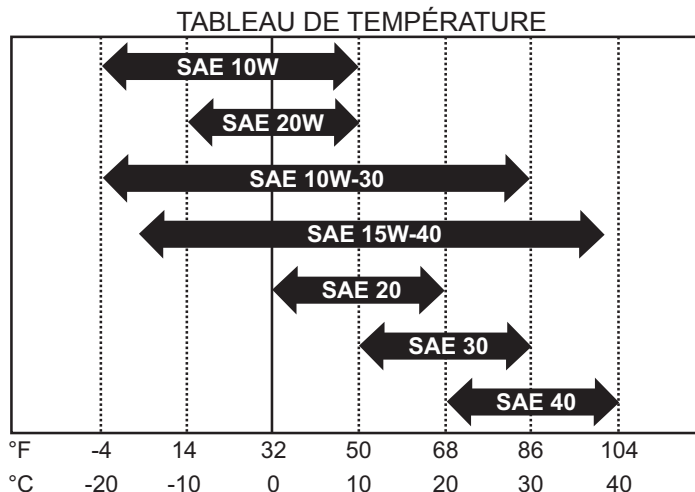
#### APPROVISIONNEMENT EN CARBURANT

**AVERTISSEMENT: LE CARBURANT DIESEL EXPLOSIF!! L'ESSENCE EST EXTRÊMEMENT INFLAMMABLE ET SES VAPEURS PEUVENT EXPLOSER SI ELLES S'ENFLAMMENT.**

**IL NE FAUT ENTREPOSER LE CARBURANT DIESEL QUE DANS DES CONTENEURS HOMOLOGUÉS, DANS DES BÂTIMENTS BIEN**

**AÉRÉS, NON OCCUPÉS ET À L'ÉCART DES ÉTINCELLES ET DES FLAMMES.**

**NE PAS REMPLIR LE RÉSERVOIR LE CARBURANT DIESEL LORSQUE LE MOTEUR EST CHAUD OU EN MARCHÉ CAR L'ESSENCE RENVERSÉE PEUT S'ENFLAMMER SI ELLE ENTRE EN CONTACT AVEC LES PARTIES CHAUDES OU LES ÉTINCELLES PROVENANT DE L'ALLUMAGE.**



**NE PAS METTRE LE MOTEUR EN MARCHÉ PRÈS DE CARBURANT QUI A ÉTÉ RENVERSÉ.**

**NE PAS METTRE LE MOTEUR EN MARCHÉ PRÈS DIESEL FUEL LE CARBURANT DIESEL QUI A ÉTÉ RENVERSÉ. NE JAMAIS UTILISER D'ESSENCE COMME PRODUIT DE NETTOYAGE.**

**AVERTISSEMENT: NE PAS TROP REMPLIR LE RÉSERVOIR DE CARBURANT DIESEL, LAISSER TOUJOURS DE LA PLACE POUR QUE LE CARBURANT SE DILATE.**

**Recommandations Générales**

- Acheter de l'essence en petite quantité et l'entreposer dans des conteneurs propres et homologués.
- Pour minimiser les dépôts de gomme dans le système de carburant et pour assurer un démarrage facile, ne pas utiliser d'essence restant de la saison précédente.
- Ne pas ajouter d'huile à l'essence.

**SPECIFICATIONS POUR CARBURANT DIESEL**

Le carburant diesel doit se conformer aux spécifications suivantes. Le tableau suivant donne la liste de plusieurs spécifications mondiales pour les carburants diesels.

**CONDITIONS TECHNIQUES SUPPLEMENTAIRES POUR CARBURANT**

- L'indice de cétane du carburant doit être supérieur ou égal à 45.
- La teneur en soufre ne doit pas dépasser 0.5% de volume. Moins de 0.05 % est préféré.
- Carburants bio diesel. Voir ci-dessous.
- Ne jamais mélanger du kérosène, de l'huile pour moteur usée ou du fuel résiduel avec le carburant diesel.
- L'eau et les dépôts dans le carburant ne doivent pas dépasser 0.05% du volume.
- Maintenir le réservoir de carburant et le matériel de manipulation de carburant propre à tout moment.
- Un carburant de mauvaise qualité peut faire baisser le rendement du moteur et/ou être la cause de dommages au moteur.
- Des additifs pour carburant ne sont pas recommandés. Certains additifs pour carburant peuvent être la cause d'un mauvais rendement du moteur. Consulter votre représentant Yanmar pour plus d'information.
- Le contenu de cendres ne doit pas dépasser 0.01% de volume.
- La teneur totale en composés aromatiques ne doit pas dépasser 35% de volume. Moins de 30% est recommandé.
- La teneur totale en composés aromatiques ne doit pas dépasser 35% de volume. Moins de 30% est

Spécifications pour carburant diesel	Location
No. 2-D, No.1-D, ASTM D975-94	Etats-Unis
EN590:96	Union Européenne
ISO 8217 DMX	International
BS 2869-A1 or A2	Royaume-Uni
JIS K2204 Grade No. 2	Japon
KSM-2610	Corée
GB252	Chine

recommandé.

- La teneur en PAH (Hydrocarbure aromatique polycyclique) doit être en dessous de 10% de volume.
- La teneur en métaux de Na, Mg, Si et Al doit être égal à ou moins d'une masse ppm. ( Méthode d'analyse de test JPI-5S-44-95)

### **CARBURANTS BIODIESEL**

En Europe et aux Etats-Unis ainsi que dans d'autres pays, les ressources en carburant d'origine d'huile non minérale telles que RME (Ester Méthyle d'huile de colza) et SOME (Ester Méthyle de soja), connues sous le nom FAME (Esters Méthyles d'Acides Gras ou EMAG), sont utilisés comme des diluants pour les carburants diesel dérivés d'huile minérale.

Yanmar est pour l'utilisation de carburants biodiesel qui ne dépassent pas un mélange de 5% (par volume) de FAME avec 95% (par volume) de carburant diesel dérivé d'huile minérale approuvée. De tels bio-carburants sont connus sur le marché en temps que des carburants B5.

#### **Ces carburants diesel B5 doivent satisfaire certains critères.**

1. Ces biocarburants doivent satisfaire les spécifications minimums pour le pays dans lequel ils sont utilisés.
  - En Europe, les carburants biodiesel doivent se conformer au Standard européen EN 14214.
  - Aux Etats-Unis, les carburants biodiesel doivent se conformer au Standard américain ASTM D-6751.
2. Les carburants biodiesel ne doivent être achetés que chez des fournisseurs accrédités et agréés de carburant diesel.

### **PRÉCAUTIONS ET PRÉOCCUPATIONS CONCERNANT L'UTILISATION DES BIO-CARBURANTS:**

1. Le méthanol libre dans FAME peut résulter en la corrosion des pièces FIE en aluminium et zinc.
2. De l'eau en suspension dans l' ester méthyle (FA ME) peut boucher les filtres à carburant ou favoriser le développement de bactéries.
3. Une haute viscosité à des températures basses peut résulter en des problèmes de débit de carburant, de grippage de la pompe d'injection, et d'une mauvaise pulvérisation par les gicleurs d'injection.
4. FAME peut avoir un effet négatif sur les élastomères (matériaux adhésifs) et peut résulter en des fuites de carburant et de dilution de l'huile de graissage du moteur.
5. Même les carburants biodiesel qui se conforment aux standards donnés nécessiteront des précautions et une attention supplémentaires afin de maintenir la qualité du carburant dans l'équipement ou autres réservoirs de carburants. Il est important de maintenir une source de carburant propre et frais. Un rinçage régulier du système d'alimentation en carburant, et/ou des conteneurs de stockage de carburant peuvent être nécessaires.

6. L'utilisation de carburants biodiesel qui ne se conforment pas aux standards des fabricants de moteur diesel et d'équipement d'injection de carburant diesel ou l'utilisation de carburants biodiesel qui se sont dégradés comme décrit dans précautions et préoccupations ci-dessus peut avoir une incidence sur la couverture de garantie de votre moteur.

## INSTALLATION DE LA BATTERIE

**NUMÉRO DE REMPLACEMENT DE LA  
BATTERIE**

32-0058



**AVERTISSEMENT: NE DOIT ÊTRE ÉFFECTUÉ  
QUE PAR UN CENTRE DE SERVICE JOHN  
DEERE AGRÉÉ.**

## HAUTE ALTITUDE

Prendre en compte les situations d'environnement opératoires suivantes pour garantir un bon fonctionnement du moteur et éviter son usure prématurée

- Ne jamais faire marcher le moteur si la température ambiante est au dessus de +104°F (+40°C) ou en dessous de +14°F (-10°C).
- Si la température ambiante dépasse +104°F (+40°C) le moteur peut surchauffer et entraîner une décomposition de l'huile pour moteur.
- Si la température ambiante descend en dessous de +14°F (-10°C) les composants en caoutchouc tels que les garnitures et joints vont se durcir et seront la cause d'une usure prématurée et de dommages du moteur.
- Contacter votre concessionnaire ou distributeur agréé de moteur industriel Yanmar si le moteur va être utilisé sous toute température extrême.
- Contacter votre concessionnaire ou distributeur agréé Yanmar si le moteur va être utilisé à de hautes altitudes. En haute altitude, le moteur perd de la puissance, marche mal, et produit des gaz d'échappement qui dépassent les spécifications prévues à la conception.

# Fonctionnement

## FONCTIONNEMENT

### DÉMARRAGE AVEC LANCEUR À RAPPEL

*NOTE: Lire soigneusement le manuel de l'utilisateur avant de se servir de l'appareil. S'assurer toujours que l'appareil est sur une surface plane et qu'il est correctement relié à la terre. Vérifier le niveau d'huile du moteur avant le démarrage.*

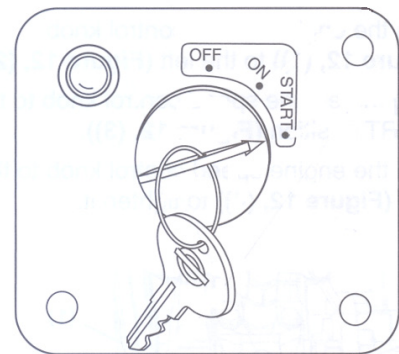
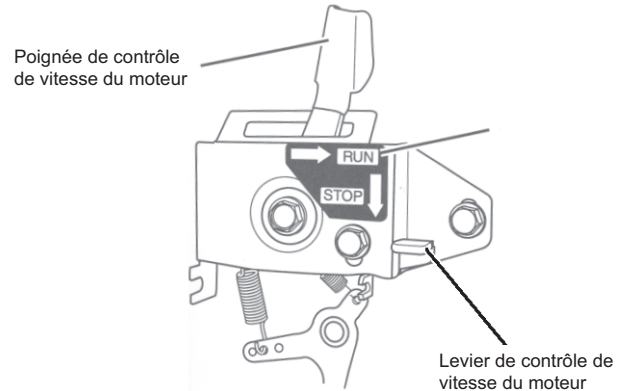
### DÉMARRAGE ÉLECTRIQUE



**ATTENTION: NE JAMAIS UTILISER UN DISPOSITIF DE DÉMARRAGE DU MOTEUR TEL QUE DE L'ETHER. DES DOMMAGES DU MOTEUR.**

Respecter les étapes suivantes pour démarrer le moteur.

2. S'assurer que le robinet de carburant est en position de mise en marche (ON).
2. Mettre la poignée de commande de vitesse du moteur en position de marche (RUN).
3. Insérer la clé dans le contact.
4. Tourner la clé dans le sens des aiguilles d'une montre jusqu'à la position de DÉMARRAGE (START). Relâcher la clé dès que le moteur démarre. Elle retournera à la position de mise en marche (ON).
5. Si le moteur ne démarre pas:
  - a. Attendre que le moteur soit à l'arrêt complet avant d'essayer de le redémarrer. Le volant et le moteur seront endommagés si le démarreur est enclenché lorsque le moteur tourne encore.
  - b. Attendre au moins 30 secondes avant d'essayer de redémarrer le moteur. Cette pause permettra à la tension de la batterie de se normaliser afin d'éviter d'endommager le démarreur du moteur dû à une tension insuffisante de la batterie.
7. Permettre à l'appareil de tourner pendant deux (2) minutes pour qu'il se réchauffe.
8. Tourner l'interrupteur de secteur sur la position marche (ON) (GEN-6000).
9. Tester la/les prise(s) avec disjoncteur différentiel (GFCI) de l'appareil. Pousser le bouton d'essai. Le bouton de réenclenchement devrait ressortir et il ne devrait pas y avoir de courant à la prise. Appliquer une charge d'essai ou brancher une lampe sur chaque prise pour vérifier. **SI LE BOUTON DE RÉENCLENCHEMENT NE RESSORT PAS, NE PAS SE SERVIR DE LA/DES PRISE(S). VOIR VOTRE CONCESSIONNAIRE POUR UN ENTRETIEN IMMÉDIAT.**
10. Si le test de la/les prise(s) avec disjoncteur différentiel (GFCI) est positif, appuyer fermement sur le bouton de réenclenchement pour rétablir le courant. Vous devriez entendre ou sentir un déclic distinctif lorsque ceci est accompli. Si la/les prise(s) ne se réenclenche(nt) pas correctement, ne pas s'en servir. Voir votre concessionnaire pour un entretien immédiat.



## ARRÊT



**ATTENTION : POUR UNE DURÉE DE VIE UTILE MAXIMALE DU MOTEUR, YANMAR RECOMMANDE DE LAISSER LE MOTEUR TOURNER AU RALENTI, SANS CHARGE, PENDANT 5 MINUTES AVANT SON ARRÊT. CECI PERMETTRA AUX COMPOSANTS DU MOTEUR QUI FONCTIONNENT À DE HAUTES TEMPÉRATURES, TELS QUE LE TURBO COMPRESSEUR (SI INCLU) ET LE SYSTÈME D'ÉCHAPPEMENT, DE REFROIDIR UN PEU AVANT QUE LE MOTEUR SOIT MIS À L'ARRÊT.**

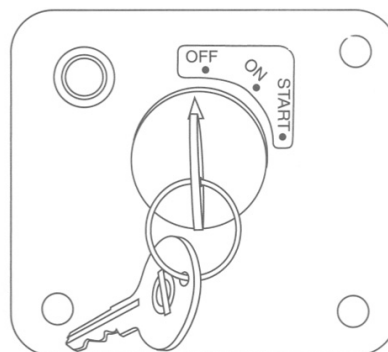
Placer la commande de vitesse du moteur en position d'arrêt (STOP).



**ATTENTION: SI LE MOTEUR CONTINUE DE TOURNER APRÈS AVOIR PLACÉ LA COMMANDE DE VITESSE DU MOTEUR EN POSITION D'ARRÊT (STOP), TOURNER LE ROBINET DE CARBURANT À LA POSITION FERMÉE.**

1. Appuyer sur le levier d'arrêt (STOP) et la poignée de contrôle de vitesse du moteur retournera automatiquement à la position d'arrêt (STOP).

*Note: La poignée de contrôle de vitesse est à ressort, donc, lorsque vous poussez sur le levier d'arrêt (STOP), la poignée de contrôle de vitesse retourne à la position d'arrêt. Il n'y a pas de position de ralenti ou de vitesses intermédiaires.*



## MODÈLES À DÉMARRAGE ÉLECTRIQUE

Tourner la clé jusqu'à la position d'arrêt (OFF) et retirer-la du contact.

## APRÈS L'ARRÊT DU MOTEUR

1. Déplacer le levier du robinet de carburant jusqu'à la position fermée.
2. Tirer lentement sur la poignée du lanceur à rappel jusqu'au point de résistance (le point dans la course de compression où les soupapes d'admission et d'échappement sont fermées). Ceci aide à éviter la formation de rouille lorsque le moteur ne fonctionne pas.
3. Si le moteur ne va pas être utilisé pendant 6 mois ou plus, consulter les instructions supplémentaires sur le remisage.

## COMMANDES

### PANNEAU DE COMMANDE:

Les groupe électrogènes sont équipés comme suit:

- Compteur horaire
- Voltmètre
- Disjoncteurs
- Deux prises femelles doubles (2 prises) protégées par disjoncteur différentiel (GFCI) de 125 Volt, 20 Ampères.
- Une prise verrouillable de 125 Volt, 30 Ampères.
- Une prise verrouillable de 125/250 Volt, 20 Ampères

*NOTE: Les prises verrouillables de 125 Volt, 20 Ampères et de 125/250 Volt, 30 Ampères ne sont*



*PAS protégées par un disjoncteur différentiel. Il faut utiliser des disjoncteurs différentiels externes si un tel dispositif est nécessaire ou désiré. Consulter les consignes de la section "Disjoncteur Différentiel" pour plus d'information.*



**AVERTISSEMENT: IL NE FAUT JAMAIS DÉPASSER LA CAPACITÉ NOMINALE D'UNE PRISE. CES PRISES SONT PROTÉGÉES CONTRE LES SURCHARGES PAR DES DISJONCTEURS MAGNÉTIQUES À RÉENCLÈCHEMENT. SI UN DISJONCTEUR SE DÉCLENCHE, IL FAUT EN DÉTERMINER LA CAUSE ET LA CORRIGER AVANT DE CONTINUER L'UTILISATION.**

## COMMANDES

### COMPTEUR HORAIRE:

Ces groupes électrogènes sont équipés d'un compteur horaire qui enregistre le nombre d'heures de fonctionnement de l'appareil. Ceci est très utile pour programmer l'entretien. Consulter le tableau périodique d'entretien pour le programme d'entretien recommandé.

### VOLTMÈTRE:

Ces groupes électrogènes sont équipés d'un voltmètre. Le voltmètre est utilisé pour contrôler la tension correcte de l'appareil.

### MAIN BREAKER:

Ces générateurs sont équipés d'un disjoncteur principal qui protège jusque dedans à une surcharge. Ce disjoncteur principal doit être "ON" pour que n'importe quelle puissance soit tirée à partir de l'unité.

### TAILLE DE CÂBLE:

Une tension insuffisante risque d'endommager l'équipement. Par conséquent, pour éviter les chutes de tension excessives entre le groupe électrogène et l'équipement, le câble utilisé devra être de calibre suffisant par rapport à sa longueur. Le tableau de sélection des câbles indique la longueur maximale des câbles en fonction du calibre permettant d'acheminer les charges indiquées en toute sécurité.

### CHARGES DES MOTEURS ÉLECTRIQUES:

Il est caractéristique pour les moteurs électriques ordinaires en fonctionnement normal de consommer jusqu'à six fois leur courant de fonctionnement au démarrage. Ce tableau peut être utilisé pour estimer la puissance en Watts nécessaire pour démarrer les moteurs électriques "CODE G."



**ATTENTION: SI UN MOTEUR ÉLECTRIQUE REFUSE DE DÉMARRER OU D'ATTEINDRE SON RÉGIME DE FONCTIONNEMENT, ARRÊTER IMMÉDIATEMENT L'APPAREIL OU L'OUTIL AFIN D'ÉVITER TOUT DOMMAGE À L'ÉQUIPEMENT. VÉRIFIER TOUJOURS QUE LA CONSOMMATION DE L'OUTIL OU DE L'APPAREIL UTILISÉ EST COMPATIBLE AVEC LA PUISSANCE DE SORTIE DU GROUPE ÉLECTROGÈNE.**

*Utilisation du groupe électrogène*

COURANT EN AMPÈRES	CHARGE EN WATTS		LONGUEUR MAXIMALE DE CÂBLE (pi.)				
	SOUS 120V	SOUS 240V	FIL N°8	FIL N°10	FIL N°12	FIL N°14	FIL N°16
2,5	300	600		1000	600	375	250
5	600	1200		500	300	200	125
7,5	900	1800		350	200	125	100
10	1200	2400		250	150	100	50
15	1800	3600		150	100	65	
20	2400	4800	175	125	75	50	
25	3000	6000	150	100	60		
30	3600	7200	125	65			
40	4800	9600	90				

PUISSANCE DU MOTEUR (CH)	PUISSANCE (W) DE FONCTIONNEMENT	PUISSANCE (WATTS) NÉCESSAIRE AU DÉMARRAGE DU MOTEUR		
		RÉPULSION-INDUCTION	CONDENSATEUR	PHASE AUXILIAIRE
1/8	275	600	850	1200
1/6	275	600	850	2050
1/4	400	850	1050	2400
1/3	450	975	1350	2700
1/2	600	1300	1800	3600
3/4	850	1900	2600	
1	1100	2500	3300	

# Dépannage

<b>SYMPTÔME</b>	<b>PROBLÈME</b>	<b>SOLUTION</b>
Le moteur ne démarre pas.	L'interrupteur du moteur est en position d'arrêt (OFF). Le réservoir de carburant est vide.	Mettre l'interrupteur du moteur en position de marche (ON). Remplir le réservoir selon les instructions contenues dans ce manuel.
	La soupape de carburant est fermée.	Ouvrir la soupape de carburant.
Pas de courant en sortie du groupe électrogène.	Déclenchement des disjoncteurs. Cordons électriques et rallonges inadéquats.	Réarmer les disjoncteurs. Vérifier la capacité des cordons électriques et des rallonges dans la section Commandes; la taille des câbles dans ce manuel. Consulter un concessionnaire Mi-TM.

# Entretien

## ENTRETIEN DU GROUPE ÉLECTROGÈNE

Maintenir tous les événements dégagés.

Maintenir le groupe électrogène dans un état propre. NE PAS l'asperger d'eau.

Périodiquement, vérifier et serrer tous les éléments de fixation (écrous et boulons), voir le tableau d'entretien périodique.

### FICHER D'ESSAIS DES DISJONCTEURS:

Comme avec les autres dispositifs de sécurité, les disjoncteurs (GFCI) fournis avec ces groupes électrogènes doivent être examinés chaque mois pour assurer qu'il fonctionne correctement. Pour tester les disjoncteurs (GFCI), suivre les instructions suivantes et enregistrer la date du test ci-dessous.

1. Appuyer sur le bouton "TEST" avec le groupe électrogène en marche. Le bouton de réenclenchement (RESET) devrait sortir. Les deux prises du boîtier doivent alors être hors tension. Vérifier en branchant une lampe dans chaque prise.



**AVERTISSEMENT: SI LE BOUTON DE RÉENCLENCHEMENT NE RESSORT PAS, NE PAS SE SERVIR DE LA/DES PRISE(S). VOIR VOTRE CONCESSIONNAIRE JOHN DEERE POUR UN ENTRETIEN IMMÉDIAT.**

2. Si le disjoncteur (GFCI) fonctionne normalement, remettre le système sous tension en appuyant FERMEMENT sur le bouton de réenclenchement "RESET" jusqu'à ce qu'un déclic distinctif soit entendu ou senti. SI IL N'EST PAS POSSIBLE DE RÉARMER LE DISJONCTEUR DIFFÉRENTIEL (GFCI), N'UTILISER AUCUNE DES PRISES DU BOITIER DOUBLE. Il faut faire réparer l'appareil immédiatement par un centre de service agréé John Deere.
3. Des charges générées par des vibrations élevées ou des chocs mécaniques violents peuvent déclencher les disjoncteurs différentiels (GFCI). Si l'un ou l'autre des disjoncteurs différentiels se déclenche tout seul, le réarmer et exécuter les étapes du test 1 et 2.
4. Répéter les étapes 1 à 3 pour le second disjoncteur différentiel (GFCI).



**AVERTISSEMENT: BIEN QUE LA PROCÉDURE CI-DESSUS INDIQUE QUE LE DISJONCTEUR DIFFÉRENTIEL (GFCI) FONCTIONNE CORRECTEMENT AVEC UN GROUPE ÉLECTROGÈNE QUI N'EST PAS MIS À LA TERRE OU QUI EST MAL MIS À LA TERRE, IL FAUT CÉPENDANT METTRE LE**

Année	Janv.	Févr.	Mars	Avr.	Mai	Juin.	Juill.	Août.	Sep.	Oct.	Nov.	Déc.	

**NOTE:** Dans certains cas, le disjoncteur différentiel ne fournit pas de protection contre les risques d'électrocutions. **EXEMPLE:** Une personne peut recevoir un choc si elle touche deux ou plus des fils d'un cordon électrique endommagé et n'est pas en contact direct avec la terre. Puisque le courant parasite n'a pas de passage vers la terre, le disjoncteur différentiel ne peut pas remplir son rôle et la personne peut recevoir des blessures graves.

Le disjoncteur différentiel est simplement une caractéristique de sécurité supplémentaire. Rien ne peut remplacer le respect des précautions de sécurité, des bonnes pratiques de sécurité avec les circuits électriques et un bon entretien des cordons électriques, de l'équipement et des connexions.

**GROUPE ÉLECTROGÈNE À LA TERRE  
EN SUIVANT LES INSTRUCTIONS DE MISE À  
LA TERRE À POUR QUE LE DISJONCTEUR  
DIF FÉRENTIEL (GFCI) SOIT EFFICACE ET  
PROTÈGE L'UTILISATEUR CONTRE LES  
COURANTS PARASITES.**

#### MOTEUR:

Le moteur de ce groupe électrogène est réglé pour fonctionner à des vitesses proches de 3600 tours/mn (60Hz) sur toute la plage de puissance fournie. La vitesse de marche à vide (avant qu'une charge soit appliquée) sera juste un peu plus haute que la vitesse de charge et est normalement réglé à 3750 tours/mn.



**AVERTISSEMENT: IL NE FAUT PAS MODIFIER LE MÉCANISME DU RÉGULATEUR, CHANGER SON RÉGLAGE DE FAÇON EXPÉRIMENTALE, NI POUSSER L'ACCÉLÉRATEUR POUR ESSAYER DE PRODUIRE PLUS DE COURANT ÉLECTRIQUE; CECI RISQUE D'ENDOMMAGER L'ÉQUIPEMENT ET DE CAUSER DES BLESSURES.**

**LE RÉGLAGE DU RÉGIME DU RÉGULATEUR DOIT ÊTRE LAISSÉ AUX BONS SOINS D'UN CONCESSIONNAIRE JOHN DEERE.**

#### VIDANGE D'HUILE:

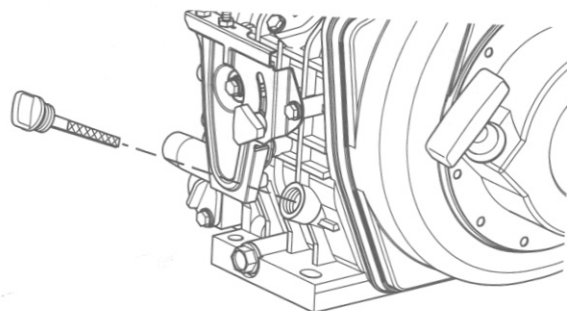
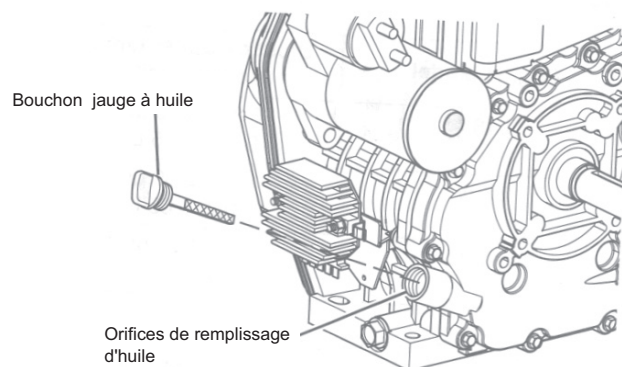
Changer l'huile après les premières 50 heures de service. Par la suite, il faut la changer toutes les 200 heures.

Vidanger comme suit:

1. S'assurer que le moteur est sur une surface plane.
2. Démarrer le moteur et l'amener à sa température de fonctionnement.
3. Mettre le moteur à l'arrêt.
4. Retirer le bouchon jauge à huile pour permettre à l'huile pour moteur de se vider plus facilement.
5. Placer un récipient sous le moteur pour recueillir l'huile usée.
6. Retirer le bouchon de vidange qui se trouve en dessous du bloc-cylindres. Permettre à l'huile de se vider.
7. Une fois l'huile entièrement vidée du moteur, remettre le bouchon de vidange et serrer jusqu'à 14-17 pieds par livres.
8. Se débarrasser correctement de l'huile usée.

#### POUR REMPLIR AVEC DE L'HUILE:

1. S'assurer que le moteur est sur une surface plane.
2. Retirer le bouchon jauge à huile.
3. Ajouter la quantité d'huile pour moteur indiquée dans l'un ou l'autre orifice de remplissage d'huile.
4. Attendre une minute et vérifier le niveau d'huile.
5. Ajouter plus d'huile si nécessaire.
6. Réinsérer complètement le bouchon jauge à huile et serrer à la main. Le fait de trop serrer le bouchon jauge à huile l'endommagera.



**AVERTISSEMENT: L'HUILE QUI S'ÉCOULE PEUT ÊTRE TRÈS CHAUDE. POUR RÉDUIRE LES RISQUES DE BRÛLURES, LA MANIPULER AVEC PRÉCAUTION. METTRE L'HUILE USÉE AU REBUT D'UNE FAÇON APPROPRIÉE.**

#### FILTRE À AIR:

**AVERTISSEMENT : RISQUE D'INCENDIE OU D'EXPLOSION. NE PAS UTILISER D'ESSENCE OU DE SOLVANTS AVEC UN POINT D'ÉCLAIR BAS POUR NETTOYER L'ÉLÉMENT. NETTOYER L'ÉLÉMENT DANS UN ENDROIT BIEN VENTILÉ. S'ASSURER QU'IL N'Y A AUCUNE ÉTINCELLES OU FLAMMES PRÈS DE LA ZONE DE TRAVAIL: CECI INCLUT TOUT APPAREIL MÉNAGER AVEC UNE VEILLEUSE.**

**ATTENTION: IL NE FAUT JAMAIS FAIRE FONCTIONNER LE MOTEUR SANS FILTRE À AIR, SOUS PEINE DE DOMMAGES SÉRIEUX.**

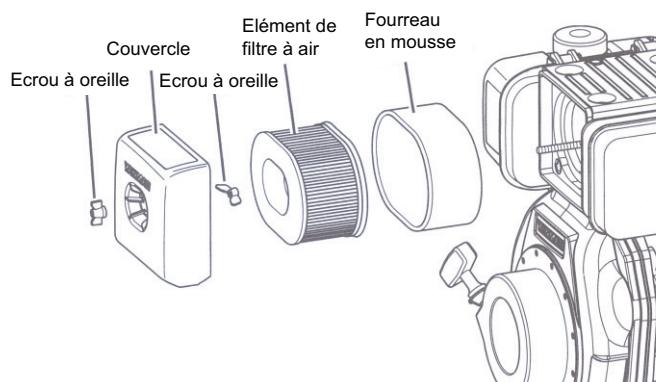
Un élément de filtre à air encrassé de poussière a un effet négatif sur le bon fonctionnement du moteur. Ne pas oublier de nettoyer l'élément de filtre à air périodiquement.

1. Retirer l'écrou à oreille.
2. Retirer le couvercle de filtre à air.
3. Retirer l'écrou à oreille.
4. Retirer l'élément de filtre à air et l'élément fourreau en mousse extérieur.
5. Envoyer de l'air à travers les deux éléments en utilisant 42-71 psi d'air comprimé pour retirer les particules. Utiliser la pression d'air la plus basse possible pour retirer la poussière sans endommager les éléments.
6. Si l'un ou l'autre des éléments est endommagé, les remplacer tous les deux (ils ne sont pas vendus individuellement).
7. Nettoyer l'intérieur du couvercle de filtre à air.
8. Installer l'élément de filtre à air dans le boîtier du filtre à air.
9. Faire glisser l'élément fourreau en mousse extérieur par-dessus l'élément du filtre à air.
10. Installer l'écrou à oreille et serrer à la main. Le fait de trop serrer l'écrou à oreille endommagera l'ensemble du filtre à air.
11. Installer le couvercle du filtre à air.
12. Installer l'écrou à oreille et serrer à la main. Le fait de trop serrer l'écrou à oreille endommagera l'ensemble du filtre à air.

#### TABLEAU D'ENTRETIEN PÉRIODIQUE:

Le moteur a besoin d'un entretien normal à des intervalles réguliers afin d'assurer son bon fonctionnement pendant une longue période de temps. Le Tableau d'Entretien Périodique ci-dessous identifie les inspections et interventions d'entretien périodiques ainsi que leurs intervalles appropriés. Le point centré indique que l'intervention correspondante doit être faite à cet intervalle.

*NOTE: Certains réglages nécessitent l'utilisation d'outils spéciaux ou d'autre équipement. Un tachymètre électronique aidera à régler le régime de ralenti et de service.*



## Entretien

	Chaque jour	Toutes les 25h	Toutes les 100 h	Toutes les 200 h	Avant remisage
Vérifier le niveau de carburant	•				
Vérifier le niveau d'huile du moteur	•				
Vérifier qu'il n'y a pas d'écrous ou de boulons desserrés ou perdus	•				
Rechercher d'éventuelles fuites	•				
Vérifier que les ailettes du cylindre et de la culasse ne sont pas sales ou poussiéreuses.	•				
Niveau de l'électrolyte de la batterie	•				
Inspection de la conduite de carburant (remplacer selon le besoin)	•				
Nettoyer l'élément en mousse du filtre à air (**)		•			
Serrer les écrous et boulons (*)			•		
Vidange d'huile du moteur (*)				•	
Nettoyer le filtre à carburant			•		
Remplacer la cartouche filtrante en papier (**)			•		
Nettoyer la poussière et saleté des ailettes du cylindre et de la culasse (**)			•		
Nettoyer la bougie et régler l'écartement des électrodes			•		
Ajouter du stabilisateur de carburant					•
Faire tourner le moteur jusqu'à sec de carburant					•

\* Exécuter ces opérations après les 50 premières heures de service, ensuite aux intervalles recommandés.

\*\* Intervention plus fréquente en cas d'environnement poussiéreux.

**NOTE:** Ces interventions doivent être effectuées avec des outils appropriés. Consulter votre centre de service John Deere pour l'entretien si vous n'avez pas le bon équipement et les compétences mécaniques.

# Remisage

## STOCKAGE DU GÉNÉRATEUR

### COURT TERME (1 à 6 mois):

1. Ajouter du conditionneur et stabilisateur d'essence à la concentration spécifiée.
2. Faire tourner l'appareil pendant deux (2) minutes pour assurer que le mélange de carburant se trouve dans tout le système de carburant. Fermer le robinet de carburant et laisser marcher l'appareil jusqu'à ce qu'il s'arrête.
3. Nettoyer la surface extérieure du groupe électrogène et appliquer de l'antirouille.
4. Remiser le groupe électrogène dans un endroit sec et bien aéré.

### LONG TERME (PLUS DE 6 MOIS):

1. Ajouter du conditionneur et stabilisateur d'essence à la concentration spécifiée.

2. Faire marcher le groupe électrogène jusqu'à ce que le réservoir de carburant soient secs.
3. Tirer lentement sur la poignée du lanceur à rappel jusqu'au point de résistance (le point dans la course de compression où les soupapes d'admission et d'échappement sont fermées). Ceci aide à éviter la formation de rouille lorsque le moteur ne fonctionne pas.
4. Nettoyer la surface extérieure du groupe électrogène et appliquer de l'antirouille.
5. Remiser le groupe électrogène dans un endroit sec et bien aéré.



**AVERTISSEMENT: LE CARBURANT DOIT ÊTRE VIDÉ DANS UN ENDROIT BIEN AÉRÉ ET DOIT ÊTRE ENTREPOSÉ DANS UN CONTENEUR HOMOLOGUÉ POUR ESSENCE.**

## Caractéristiques

### CARACTÉRISTIQUES

ARTICLE	CARACTÉRISTIQUES
Moteur	AC-G6000DY Yanmar
Puissance nominale en Watts (AC)	5000 watts
Puissance maximum en Watts (AC)	6000 watts
Tension nominale	120/240V
Ampérage Maximum	50/25
Ampérage Continu	41.7/20.8
Fréquence	60 Hz
Capacité du réservoir de carburant	10.22 Litres.
Heures de marche par réservoir de carburant*	6.5 hrs.
Batterie pour Démarrage électrique	#32-0058

\* à charge nominale

**NOTE:** Les caractéristiques de l'appareil sont basées sur un fonctionnement en conditions standard de 60 F (15° C) et au niveau de la mer. La performance du groupe électrogène devra être diminuée en fonction de la température et de l'altitude (de 1% pour chaque 10° F (-12° C) au-dessus de 60° F (15° C) et de 3,5% pour chaque tranche de 1000 pieds (300 mètres) au-dessus du niveau de la mer). En raison des caractéristiques opérationnelles du disjoncteur de genre thermique, on notera une légère réduction de la puissance du groupe électrogène en même temps qu'une augmentation proportionnelle de température ambiante.

En raison d'améliorations continues du produit, les caractéristiques sont susceptibles de modifications sans préavis.



# Accessories

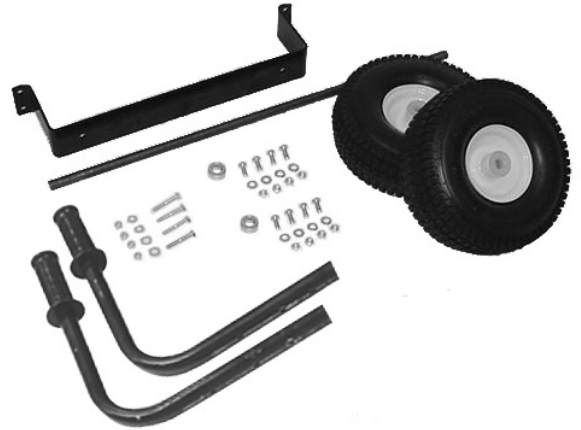
## KIT DE BARRE DE LEVAGE: AW-5090-0007

Est utilisé pour soulever le groupe électrogène en toute sécurité. Le kit de barre de levage inclut la barre de levage, les pièces de montage et les instructions nécessaires pour assembler le kit au groupe électrogène.



## KIT DE POIGNÉES ET ROUES: AW-5740-0011

Facilite la portabilité du groupe électrogène. Le Kit de Poignées et Roues inclut les roues, les poignées, les pièces de montage et les instructions nécessaires pour assembler le kit au groupe électrogène.




## NOTER LE NUMÉRO DE SÉRIE

Noter ci-dessous le numéro de modèle ainsi que le numéro de série et la date d'achat de votre appareil. Votre concessionnaire a besoin de ces renseignements lors des commandes de pièces

Numéro de modèle \_\_\_\_\_

Numéro de série \_\_\_\_\_

Date d'achat \_\_\_\_\_  
(À remplir par l'acheteur)

GENERATOR	
MODEL NO. <input type="text"/>	SERIAL NO. <input type="text"/>
CONTINUOUS OUTPUT, W <input type="text"/>	DATE CODE <input type="text"/>
VOLT, V <input type="text"/>	INSULATION CLASS <input type="text"/>
AMP, A <input type="text"/>	RATED RPM <input type="text"/>
FREQUENCY, Hz <input type="text"/>	MAX. AMBIENT TEMP., °C <input type="text"/>
 201473	FOR ELECTRICAL EQUIPMENT ONLY POUR MATERIEL ELECTRIQUE SEULEMENT Made in U.S.A. 34-0075-100300-ENG.

# Garantie

## CONDITIONS DE LA GARANTIE

John Deere garantit toutes les pièces (à l'exception de celles stipulées ci-dessous), de votre nouveau groupe électrogène en cas de défauts de matériaux et de fabrication pendant les périodes suivantes:

Pendant deux (2) années à partir de la date d'achat initiale.

Les pièces défectueuses ne résultant pas d'une usure normale seront réparées ou remplacées à notre choix pendant la période de garantie. Quoi qu'il arrive, le remboursement est limité au prix d'achat.

## PIECES EXCLUES DE LA GARANTIE

1. Le moteur et le générateur sont garanti séparément par son fabricant et est sujet aux limites ci-inclus.
2. Cette garantie ne couvre pas les pièces endommagées par l'usure normale, une mauvaise utilisation, une utilisation abusive ou un fonctionnement autre que recommandé. La garantie ne couvre pas les dégâts provoqués par un mauvais suivi des procédures de fonctionnement et d'entretien .
3. L'utilisation de pièces de réparation autres que celles d'origine annule la garantie.
4. Les pièces renvoyées en port payé, à notre usine ou à un centre de réparation John Deere agréé seront inspectées et remplacées gratuitement si elles s'avèrent être défectueuses et couvertes par la garantie. Il n'existe aucune garantie prolongeant les dates d'expiration stipulées ci-dessus. Le fabricant n'est en aucun cas responsable des pertes d'usage, de temps ou de location, des dérangements causés, des pertes commerciales ou des dommages qui en résultent.

Pour toute question de service ou de garantie, s'adresser à  
Mi-T-M Corporation, 8650 Enterprise Drive, Peosta, IA 52068-0050  
Tél.: JD-KLEEN (1-877-535-5336) Fax 563-556-1235  
Du lundi au vendredi de 8h00 à 17h00, heure centrale

## DÉCLARATION DE GARANTIE CONTRÔLE D'ÉMISSIONS POUR LA CALIFORNIE VOS DROITS ET OBLIGATIONS DE GARANTIE

Le comité des ressources de l'air de la Californie et John Deere sont heureux d'expliquer la garantie du système de contrôle d'émissions de votre petit moteur non routier (désigné ci-dessous par "SORE"). En Californie, les nouveaux SOREs doivent être conçus, construits et équipés pour se conformer aux normes anti-smog rigoureuses de l'état.

John Deere doit garantir le système de contrôle d'émissions de vos SOREs pendant la durée de temps décrite ci-dessous, à condition qu'il n'y ait eu aucun abus, négligence ou entretien incorrect de vos SOREs.

Votre système de contrôle d'émissions peut inclure des pièces telles que le carburateur ou le système d'injection de carburant, les canalisations de carburant et le circuit d'allumage. Les tuyaux, attaches, connecteurs et autres pièces liés aux émissions peuvent aussi être inclus.

Quand une condition couverte par la garantie existe, John Deere réparera gratuitement votre petit moteur non-routier, y compris le diagnostic, les pièces et la main d'œuvre.

### COUVERTURE DE LA GARANTIE DU FABRICANT :

Le système de contrôle d'émissions est garanti pendant deux années. Si toute pièce liée aux émissions de votre moteur est défectueuse, elle sera réparée ou remplacée par John Deere.

### RESPONSABILITÉS DU PROPRIÉTAIRE VIS À VIS DE LA GARANTIE:

- En tant que propriétaire du SORE, vous êtes responsable de l'exécution des opérations d'entretien obligatoires énumérées dans le manuel du propriétaire. John Deere recommande que vous conserviez tous les reçus concernant l'entretien de votre SORE, mais John Deere ne peut dénier la garantie seulement à cause de reçus manquants.
- En tant que propriétaire du SORE, vous devez cependant être conscient que John Deere peut refuser la couverture de la garantie si votre SORE ou une pièce tombe en panne à cause d'abus, de négligence, d'entretien incorrect ou de modifications non approuvées.
- Vous êtes responsable de la présentation de votre SORE à un centre de distribution ou chez un concessionnaire réparateur agréé par John Deere Corporation, 8650 Enterprise Drive, Peosta, IA 52068 (désigné ci-dessous par John Deere) dès qu'un problème est identifié. Les réparations de garantie doivent être effectuées dans un délai raisonnable sans dépasser 30 jours.

Pour toute question relative à votre couverture de garantie, vous devez contacter le département Service après-vente de John Deere à 1-800-553-9053.

### COUVERTURE DE GARANTIE GÉNÉRALE DES SYSTÈMES D'ÉMISSIONS -La Californie Seulement-

John Deere garantit à l'acheteur initial et à chaque acheteur suivant que le SORE (1) a été conçu, fabriqué et équipé pour se conformer à tous les règlements en vigueur, et (2) est exempt de défauts de matière première ou de construction qui feraient qu'il ne soit pas conforme aux normes comme peut être applicable dans les termes et conditions indiquées ci-dessous.

- (a) La période de garantie commence à la date où le moteur est livré à l'acheteur initial ou lors de sa première utilisation. La période de garantie est de deux années.
- (b) La garantie des pièces relatives aux émissions, sujette à certaines conditions et exclusions telles qu'indiquées ci-dessous, est la suivante :
  - (1) Toute pièce sous garantie qui ne doit pas être remplacée au titre d'une révision obligatoire spécifiée dans votre manuel du propriétaire est garantie pour la période de garantie indiquée ci-dessus. Si la pièce s'avère défectueuse pendant la période de couverture de garantie, elle sera réparée ou remplacée par John Deere selon le paragraphe (4) ci-dessous. Toute pièce ainsi réparée ou remplacée au titre de la garantie sera garantie pendant le reste de la période de garantie.

- (2) Toute pièce sous garantie qui est seulement programmée pour une inspection régulière dans votre manuel du propriétaire est garantie pour la période de garantie indiquée ci-dessus. Toute pièce ainsi réparée ou remplacée au titre de la garantie sera garantie pendant le reste de la période de garantie.
- (3) Toute pièce sous garantie qui doit être remplacée au titre d'une révision obligatoire dans votre manuel du propriétaire n'est garantie que pendant la période de temps jusqu'à la première date de remplacement programmé pour cette pièce. La pièce sera réparée ou remplacée par John Deere selon le paragraphe (4) ci-dessous si elle s'avère défectueuse avant le premier remplacement programmé. Toute pièce ainsi réparée ou remplacée au titre de la garantie sera garantie pendant le reste de la période jusqu'au moment du premier remplacement programmé pour la pièce.
- (4) La réparation ou le remplacement de toute pièce sous garantie, sous réserve des conditions ci-incluses, sera exécuté gratuitement chez un concessionnaire réparateur agréé.
- (5) Nonobstant les clauses de ce document, les services ou réparations sous garantie seront fournis par tous nos centres de distribution agréés pour l'entretien des moteurs en question.
- (6) Le propriétaire ne sera pas facturé pour le travail de diagnostic qui mène à la détermination qu'une pièce sous garantie est en effet défectueuse, à condition que le travail de diagnostic soit effectué par un concessionnaire réparateur agréé.
- (7) John Deere est responsable pour les dommages aux autres composants du moteur se situant autour de la zone de la panne résultant de la défaillance de toute pièce sous garantie.
- (8) Pendant toute la période de garantie du moteur indiquée ci-dessus, John Deere maintiendra à disposition un stock de pièces sous garantie suffisant pour satisfaire la demande prévue pour telles pièces.
- (9) Toute pièce de remplacement peut être utilisée pour l'exécution de tout entretien ou réparations au titre de la garantie et doit être fournie gratuitement au propriétaire. Une telle utilisation ne changera pas les obligations de John Deere vis à vis de la garantie.
- (10) Les pièces ajoutées ou modifiées qui ne sont pas homologuées par le comité des ressources de l'air de la Californie ne doivent pas être utilisées. L'utilisation de pièces ajoutées ou modifiées non-homologuées par l'acheteur initial constituera un motif de non-application de garantie. John Deere ne pourra être tenu responsable de la défaillance de pièces sous garantie dont la cause est l'utilisation de pièces ajoutées ou modifiées non-homologuées.

(c) PIÈCES SOUS GARANTIE:

La réparation ou le remplacement au titre de la garantie de toute pièce normalement couverte par cette garantie peut être refusée si John Deere démontre que le moteur a été abusé, négligé ou mal entretenu, et que cet abus, négligence ou mauvais entretien est la cause directe de la nécessité de réparer ou remplacer cette pièce. Néanmoins, le réglage d'une pièce comprenant un dispositif limiteur de réglage installé en usine et qui fonctionne correctement est tout de même couvert par la garantie. Les pièces suivantes sont couvertes sous la garantie d'émissions.

1. Système de dosage de Carburant

- (A) Carburateur et pièces internes (et/ou régulateur de pression ou système d'injection de carburant).
- (B) Système de rétroaction et de commande de rapport d'air/carburant, si applicable.
- (C) Système d'enrichissement au démarrage à froid, si applicable.
- (D) Assemblage régulateur (carburant essence, si applicable).

2. Système d'admission d'air

- (A) Collecteur d'admission, si applicable.
- (B) Filtre à air.

3. Circuit d'allumage

- (A) Bougies d'allumage.
- (B) Magnéto ou circuit d'allumage électronique.
- (C) Système d'avance/retard à l'allumage, si applicable.

4. Tubulure d'échappement, si applicable.

5. Système d'évaporation.

- (A) Canalisation de carburant.
- (B) Raccords de canalisation de carburant.



# Introducción

Gracias por comprando este John Deere producto.

Lea este manual con cuidado para aprender como operar y heacerie servicao su máquina correcto. Falla resultaría en lesiones personales o daño a equipo.

Este manual debe considerar una parte permanente de su máquina y debe quedar con máquina cuando venderla.

Medidas en este manual se dan en sistema métrico y en equivalentes de unidades de Estado Unidos. Use sólo partes y cierres de reemplazar correctos. Cierres métricos y pulgadas necesitarian un tirón especial de métrico o pulgada.

Lados de mano derecha y mano izquierda se determinan de que da al fin de máquina.

El número de serie está situada en sección de especificaciones o números de identificación. Escriba correcta todos números para ayndaría en encontrar la máquina si sea robado. Su concesionario también necesite estos números cuando ordenaría partes. Ponga números de identificación en lugar seguro atuera de máquina.

Garantía provece de concesionario John Deere para quien opere y mantenga su equipo como descrito en este manual. Este manual está explicado en certificado de garantía que se vea en este manual.

Esta garantía provece la seguridad que su concesionario John Deere daría garantía de productos donde defectos aparecen durante tiempo de garantía. Debe abusar al equipo o cambios para modificar la función atrás de especificaciones de fabrica la garantía será vació.

## **WARNING**

**ADVERTENCIA:** Este producto tiene plomo, una sustancia química conocida al Estado de California a causar cáncer y defectos de nacimiento u otro daño reproductivo.

*Lávese las manos despues de usar este producto.*

## **ADVERTENCIA**

Los gases del motor del este producto contiene química conocido por el estado de California a causar cancer, defectos de nacimiento, y otros peligros reproductor.

## **ADVERTENCIA**

Este producto contiene química conocido por el estado de California a causar cancer, defectos de nacimiento, y otros peligros reproductor.

# Materias

	Page
Seguridad .....	64
Señales de seguridad .....	65
Mandos .....	71
Preparando la Generador .....	72
Operación .....	78
Localización de Fallas .....	82
Servicio .....	83
Almacenamiento .....	88
Especificaciones .....	88
Accessoires.....	89
Garantía .....	90

*Toda información, ilustraciones, y especificaciones en este manual se basa en información lo último que disponible al tiempo de publicación. Se reserva el dercho de efectuar cambios sin previo aviso.*

# Seguridad

## RECONOZCA INFORMACIÓN DE SEGURIDAD

Este es el símbolo de alerta de seguridad. Cuando mire este símbolo en la máquina o manual, sea alerta de posibilidad o potencia de graves personales.

Siga precauciones recomendables y prácticas de operación.



## COMPRENDA PALABRAS DE ALERTAS

Una palabra de alerta -- Peligro, Advertencia, Precaución -- se usa con el símbolo de alerta de seguridad. Peligro indica la situación más seria.

Señales de seguridad como PELIGRO y ADVERTENCIA está situada cerca de riesgos específicos. Precauciones generales están en una lista en las señales de seguridad precaución a mensajes de seguridad en este manual.



## SIGA LAS INSTRUCCIONES DE SEGURIDAD

Lea con cuidado todos mensajes de seguridad en este manual y en las señales de seguridad en máquina. Mantengase señales de seguridad en condición bueno. Reemplace desaparecidos o señales de seguridad con daño. Asegurese que componentes nuevos de equipo y partes de reparación incluir las señales de seguridad último. Señales de seguridad para reemplace son disponibles de su concersario.

Aprenda como operar la máquina y como usar los mandos correcta. No permita nadie para operar sin instrucciones.

Mantengase la máquina en condición corecta para trabajar. Modificaciones con no autorizado a la máquina pueden afectar la función y/o seguridad y afecta la vida de máquina.

Si usted no entiende cualquier parte de este manual y no necesita ayuda, entre en contacto con a su distribuidor.







## MONÓXIDO DE CARBONO- GAS VENENOSO

Use generador en aire libre, afuera de ventanas abiertas, tiros, o puertas.

Exhausto de generador contiene monóxido de carbono- un gas venenoso que puede matarle. No puede oler o ver este gas.

Nunca use generador en espacios cerrados o parcialmente cerrados. Generadores puede producir nevelas altas de monóxido de carbono muy rápido. Cuando use un generador portable, recuerde que no puede oler o ver monóxido de carbono. Aunque si no pueda oler gases de exhausto, puede exponerle a monóxido de carbono.

Si empieza sentir enfermo, mareo, o débil cuando usando generador, vaya adentro PRONTO. NO RETRASE. Monóxido de carbono de generadores puede llevar rápidamente a todo incapacitado y muerte.

Si tenga síntomas serias, tenga atención medica inmediatamente . Diga empleados medicos que sospechar de venenoso de monóxido de carbono. Si tenga síntomas mientras adentro diga alguien llamar el departamento de fuegos para determinar cuando seguro para entrar otra vez el edificio.

NUNCA opere generador en atmósfera explosivo, cerca materias combustibles o donde ventilación no es suficiente para llevar gases de exhausto afuera. Gases de exhausto puede causar lesiones graves o muerte.

NUNCA use generador adentro, incluyendo en casas, garajes, sótanos, espacios pequeños, y otras áreas cerradas o parcialmente cerradas, aunque con ventilación. Abriendo puertas y ventanas o usando ventiladores no prevenir acumulación de monóxido de carbono en casas.

Siga las instrucciones que viene con su generador. Encuentre unidad de aire libre y afuera de puertas, ventanas, y tiros que puede permitir gas de monóxido de carbono para entrar adentro.

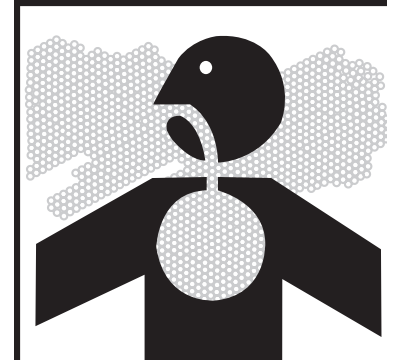
Funcione SOLAMENTE el generador al aire libre y lejos de tomas de aire.

NUNCA funcione el generador dentro de hogares, de garages, de vertientes, o de otros espacios semi-enclosed. Estos espacios pueden atrapar los gases venenosos INCLUSO SI usted funciona un ventilador o abre puertas y ventanas.

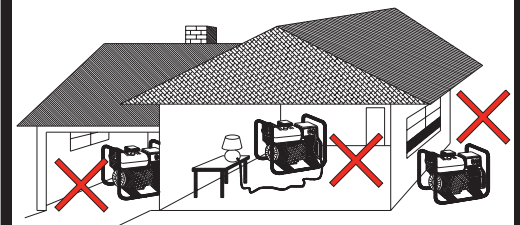
Si usted comienza a sentirse enfermo, mareado, o débil mientras que usa el generador, cerró si apagado y consigue el aire fresco ENSEGUIDA. Vea a doctor. Usted puede tener envenenamiento de monóxido de carbono.

Instale alarmasde monóxido de carbono que operados de bateria o alarmas de monóxido de carbono enchufadas con seguridad de batería en su casa según las instrucciones de instalación de fabricante. Las alarmas de monóxido de carbono deben tener certificación de requisitos de calidades de seguridad últimos para alarmas de monóxido de carbono. (UL 2034, IAS 6-96 o CSA 6.19.01).

Examine su alarma de monóxido de carbono frecuentemente y reemplace baterías muertas.



### DANGER / PELIGRO



• DO NOT USE INDOORS OR OUTSIDE OPEN WINDOWS FUMES CAN KILL YOU!  
• NE PAS UTILISER À L'INTÉRIEUR OU À L'EXTÉRIEUR DES FENÊTRES OUVERTES. LES VAPEURS DE GAZ PEUVENT VOUS TUER!  
• ¡NO USE ADENTRO O AFUERA DE VENTANAS ABIERTAS LOS GASES PUEDEN MATARLE!

34-1563-E/FS-092104-ENG



## INSTRUCCIONES DE SEGURIDAD DE LLENDADO DE COMBUSTIBLE

Gasolina es flamable extremo y sus vapores pueden explotar si inflamarse.

Observe todas regulaciones de seguridad para manejando seguro de combustible. Maneje combustible en envases de seguridad. Si envase no tiene pico, use un embudo.

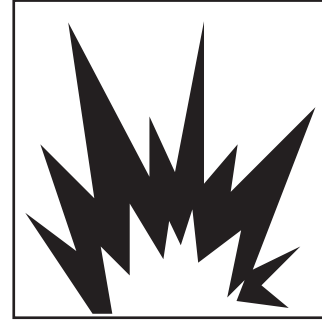
No sobrellene el tanque de combustible, mantenga espacio para expansión de combustible.

No rellene tanque de combustible mientras el motor está funcionando. Antes de rellenando generador, doble apagado y permite enfriarse. Gasolina que derramada en partes del motor puede inflamarse.

Llene el tanque solamente en una área de tierra pelada. Mientras llenando el tanque, mantenga calor, chispas, y llamas abiertas afuera. Con cuidado limpie todo combustible derramado antes de empezando el motor.

Siempre llene tanque de combustible en una área con mucha ventilación para evite inhalando gases peligrosos.

NUNCA mantenga combustible para su generador e la casa. Gasolina, propano, kerosene, y otros líquidos inflamables deben mantener afuera de áreas de vivienda en envases seguros sin vidrio y calificados correctos. No los mantenga cerca de aparato de ardiente de combustible como calentador de gas natural en un garaje. Si combustible derrame o envase no cerrado correcto, vapores invisibles de lata de combustible viaja adelante de la tierra y pueden inflamarse del piloto de aparato o de arcos de interruptores eléctricos en aparato.



## DISYUNTOR DE FALLA A TIERRA

Estos generadores están equipados con dos receptáculos dobles de 120VCA con disyuntores de falla a tierra. Esta es una medida de protección contra el peligro de electrocución por accidentes o fallas de herramientas, cordones y cables.



**ADVERTENCIA: PARA QUE EL GFCI FUNCIONE CORRECTAMENTE, ES NECESARIO QUE EL GENERADOR TENGA LA TOMA A TIERRA ADECUADA. SIGA LOS PROCEDIMIENTOS CORRECTOS PARA LA TOMA A TIERRA QUE SE DETALLAN A CONTINUACIÓN.**

Un GFCI es un aparato que interrumpe electricidad de cualquiera la utilizada o generador por un típico especial de corte circuito si hay una falla de corriente de flujo a la tierra.



**ADVERTENCIA: SOLAMENTE ESTA PROTEGIDO POR "GFCI" EL ENCHUFE 120V DUPLEX.**

Un GFCI puede usar sólo con generadores que tienen alambre neutro adherido interior a armazón y armazón conecta a tierra correcta. Un GFCI no opere en generadores que no tienen alambre neutro adherido a armazón o en generadores que no conectar a tierra correctos. Todos generadores de John Deere tienen alambres de tierra adheridos internamente.

Un GFCI puede requerir de regulaciones de OSHA, Códigos de Eléctrico Nacional y Códigos local y federal cuando operando un generador.

Para más protecciones en contra de riesgos de descarga debido al equipo defectivo sujetar a recipientes de cerrado rosca, considere también el uso de un GFCI en cada recipientes.

Los GFCI y series de cordones protegidos y cables pueden comprar de casas locales de suministro eléctrico.



## RIESGOS DE ELECTRICOS

Este producto tiene que tener la toma a tierra. Hay un director permanente entre el generador (bobinados del estator) y el marco. Si lo debe fallar o funcionar mal la toma a tierra proveer un camino de resistencia mínima para corriente eléctrica para reducir el riesgo de descarga eléctrica.



**PELIGRO-CONEXIÓN INCORRECTA DE EQUIPO CONDUCTOR DE TIERRA PUEDE RESULTAR EN RIESGO DE ELECTROCUCIÓN. HABLE CON UN ELECTRICISTA CALIFICADO O REPRESENTANTE DE SERVICIO SI TENGA DUDA SOBRE QUE LA UNIDAD TIENE LA TOMA A TIERRA CORRECTA.**

Este generador tiene una terminal de tierra para su protección. Siempre completar el camino de tierra del generador a un fuente exterior como enseñar en la sección se llama " Instrucciones de Toma a Tierra" en la sección de Preparación en este manual.

El generador es un fuente potencial de descarga de eléctrico si no mantenga seco. Mantenga el generador seco y no use en lluvia o condiciones mojados. Para porteger de humedad, opere en superficie seco abajo de una estructura abierta y como un dosel. Seque sus manos si mojados antes de tocando el generador.

Riesgo de descarga eléctrica si opere este generador con GFCI de falla (Interrupor de circuito de Falla tierra Integrado) Examine GFCI antes de cada uso, vea Instrucciones de Operando para más información. Si GFCI falla el exam, NO USE su generador. Contacte su concesionario de John Deere.

Tape aparatos directamente entre el generador. O, use extensión muy resistente que tiene indice de aire libre y tiene indice (en vatios o amperios) por lo menos igual a la suma de las cargas de aparatos conectadas. Revise que todo cordón sea libre de cortos, roturas, y que la tapa tiene todos los tres dientes, especialmente un perno de tierra

NUNCA trate dar potencia a instalación de casa como tapando el generador entre un tomacorriente del muro, una práctica se llama "alimentando atraso." Esta práctica es muy peligroso que presentar un riesgo de electrocución a trabajadores de utilidad y algunos vecinos que tienen servicio del mismo transformador de utilidad. Esta también circunvala aglunos aparatos de protección de circuito que son empotrados en la casa.

Si tiene que conectar el generador a la instalación de casa a aparatos de potencia, tiene un electricista calificado instala el equipo apropiado de acuerdo con códigos de eléctrico locales. O revise con su compañía de utilidad para preguntar sobre instalación de un interruptor apropiado de tranferir de potencia.

Para apagados de potencia, generadores estacionarios que instalados permanente son mejores para manteniendo potencia respalda a la casa. Hasta un generador portable que conecte correcto puede sobrecargar. Este puede resultar en recalentando o recalando los componentes de generador, con la posibilidad de empezar a falla del generador.



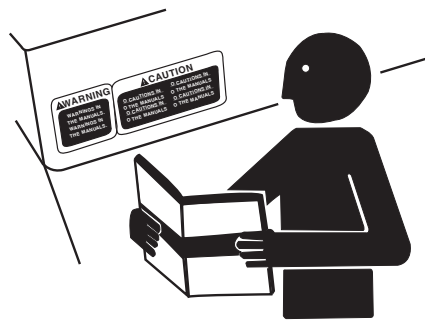


## ADVERTENCIAS IMPORTANTES DE SEGURIDAD

ADVERTENCIA: Para reducir el riesgo de lesiones, lea este manual de operador completamente. Cuando usando este producto, seguir siempre las precauciones básicas consiguientes:

1. Lea todas instrucciones antes de usando el producto.
2. Esta lavadora a presión está provista de un Interruptor de circuito de Falla a tierra (GFCI) integrado en el enchufe del cordón de suministro eléctrico. Use sólo piezas idénticas derepuesto que incluyan protección de GFCI, sí fuera necesario reemplazar el cordón.
3. ¡NUNCA permita que los niños o adolescentes operen esta unidad!
4. No opere la unidad cuando esté fatigado o bajo la influencia de alcohol o drogas. Esté alerta. Observe lo que hace.
5. Observe las instrucciones de mantenimiento especificados en este manual.
6. Cuando empezando el generador usando la empuñada de arranque de retroceso asegúrese que nada está en posición para tocar de mano o brazo de operador.
7. Asegúrese que interruptor en herramientas Eléctricas está en posición de "OFF" antes de los tapando entre generador.
8. Mantenga área inmediato libre de todos transeúntes.
9. Asegúrese que cada persona que opera este generador tiene instrucciones correctos en operación con seguridad.
10. No opere el generador o alga herramienta eléctrica en área donde agua o materiales similares constituir un riesgo eléctrico a operador. No opere en superficies mojados, en lluvia o nieve.
11. Siempre asegúrese que generador está en equilibrio seguro para no puede resbalar o mover, poniendo los trabajadores en posiciones peligrosos.
12. Evite tocando el colector de exhausto calor, moefle, o cilindros. Quede afuera de todas partes moviendo.
13. A menos que el herramienta o aparato es insultado doble, lo tiene que tomoar a tierra por recipiente que conectar a tierra correcto. (Vea Instrucciones de Preparando el Generador, Toma a Tierra). Herramientos y aparatos que tienen 3 tapones de dientes tienen que tapar entre extensiones y recipientes eléctricos con 3 agujeros. Antes de operando algo artículo eléctrico, asegúrese que estar en arreglo bueno.
14. Siga instrucciones en este manual cuando examinando Interruptor de Circuito de Falla a Tierra Integrado para asegurar operación fiable.
15. Ten cuidado de usando este equipo en espacios limitados. Espacios limitados, sin ventilación insuficiente de aire fresco, pueden contener gases peligrosos. Operando motores de gasolina en estos medios ambientes puede empezar explosiones y / o asfixia.
16. Si su generador viene con una maquina de transportar, asegúrese que unidad esté seguro durante operación y cuando moviendo para prevenir movimientos inesperados o rodantes.
17. Use caución extremo o cuando levantando este generador. No use manivelas de maquina de levantar para levantar este generador, use sólo gancho de levantar designados para levantar este generador. Este generador es muy pesado entonces debe usar técnicas correctas de levantando.

**¡GUARDE ESTAS INSTRUCCIONES!**





## USE ROPA PROTECTORA

Use ropa medida cerca y equipo de seguridad apropiado al trabajo.

Use devise protector de oído como orejeras o tapón para el oído para proteger en contra de ruidos inaceptables y altos.

Operando equipo de seguridad necesita toda atención de operador. No use auriculares de radio o música mientras operando máquina.

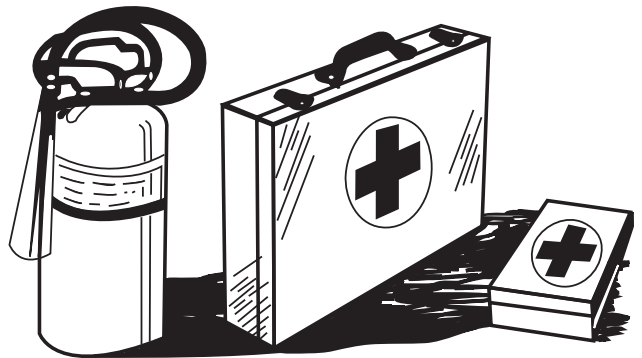


## PREPARE PARA EMERGENCIAS

Mantenga primeros auxilios y extinguidor cerca.

Mantenga números de emergencia para doctores, servicio de ambulancia, hospital, y departamento de fuego cerca de telefono.

Sea preparado si un fuego empiece.



## INSPECCIONES GENERADOR

Asegúrese que todas tapas, guardias, y escudos son ajustados y en posición.

Encuentre todos controles operando y etiquetas de seguridad.

Inspeccione cordón eléctrico para daño antes de usando. Hay un riesgo de electrocución de aplastante, cortando, o daño de calor.

## SERVICIO CON CIUDADO GENERADOR

Apague la unidad, desconéctela de la red eléctrica, y permita que la unidad se enfríe antes de repararla.

Preste servicio en un área limpia, seca y planca.



# SEÑALES DE SEGURIDAD

## ⚠ DANGER

Using a generator indoors **CAN KILL YOU IN MINUTES**. Generator exhaust contains carbon monoxide. This is a poison you cannot see or smell.



**NEVER** use inside a home or garage, **EVEN IF** doors and windows are open.

Only use **OUTSIDE** and far away from windows, doors, and vents.

## ⚠ DANGER

L'utilisation d'un groupe électrogène à l'intérieur **PEUT VOUS TUER EN QUELQUES MINUTES**.

Le gaz d'échappement du groupe électrogène contient de l'oxyde de carbone. C'est un gaz toxique que l'on ne peut pas voir ou sentir.

Ne **JAMAIS** utiliser à l'intérieur d'une maison ou d'un garage, **MÊME SI** les portes et fenêtres s'ont ouvertes.

N'utiliser qu'à l'**EXTÉRIEUR** et bien éloigné des fenêtres, portes, et conduits d'aération.

## ⚠ PELIGRO

Utilizando un generador adentro **PUEDO MATARLE EN MINUTOS**.

El escape de generador contiene monóxido de carbono. Este es un gas tóxico que usted no puede ver ni puede oler.

Nunca utilice dentro de un hogar ni el garaje, **INCLUSO SI** puertas y ventanas están abiertas.

Solo utilice **AFUERAS** y lejos de ventanas abiertas, las puertas, y descargas.

34-1916-031607-E-F-S.

34-1916

<p><b>⚠ WARNING</b></p> <p><b>POISONOUS GAS</b> This product gives off carbon monoxide, a poisonous gas that can kill you. You <b>CANNOT</b> smell it and it is colorless.</p> <p>• <b>ONLY</b> use generator outdoors and away from air intakes.</p> <p>• <b>NEVER</b> run generator inside homes, buildings, sheds, or other enclosed areas. These places can trap carbon monoxide. <b>GNP</b> (your generator) can give off carbon monoxide. If you run the generator, shut it off and get fresh air right away. One stroke, you may have carbon monoxide poisoning.</p> <p><b>EXPLOSION/FUEL</b> Gasoline is extremely flammable and its vapors can explode if ignited causing serious injury or death.</p> <p>• Store gasoline only in approved containers in well-ventilated, unoccupied areas away from sparks and flames.</p> <p>• Always stop and cool down unit to cool before refueling.</p> <p>• Do <b>NOT</b> fill fuel tank while engine is hot or running.</p> <p>• Do <b>NOT</b> overfill fuel tank.</p> <p>• Never use gasoline as a cleaning agent. Wipe up any spills immediately.</p>	<p><b>⚠ AVERTISSEMENT</b></p> <p><b>GAZ TOXIQUE</b> Ce produit donne un gaz toxique, un gaz incolore que vous ne pouvez pas le sentir. Il ne peut pas être senti.</p> <p>• <b>UNIQUEMENT</b> le générateur à l'extérieur et loin des prises d'air.</p> <p>• <b>NE JAMAIS</b> utiliser le générateur à l'intérieur des maisons, des garages, des sheds ou autres espaces confinés. Ces endroits peuvent piéger le gaz toxique.</p> <p>• <b>NE JAMAIS</b> remplir le réservoir d'essence lorsque le moteur est chaud ou en marche.</p> <p>• Ne jamais utiliser l'essence comme nettoyant.</p> <p>• Ne jamais utiliser l'essence comme nettoyant.</p> <p>• Ne jamais utiliser l'essence comme nettoyant.</p>	<p><b>⚠ ADVERTENCIA</b></p> <p><b>COMBUSTIBLE EXPLOSIVO</b> Este producto libera vapores de gasolina, un gas venenoso que puede matarlo. No puedes olerlo, verlo o sentirlo.</p> <p>• <b>SOLO</b> utilizar el generador afuera de las casas y lejos de las tomas de aire.</p> <p>• <b>NUNCA</b> utilizar el generador dentro de casas, garajes, sheds, o otros espacios confinados. Estos lugares pueden atrapar el gas venenoso.</p> <p>• <b>NUNCA</b> llenar el tanque de combustible cuando el motor está caliente o funcionando.</p> <p>• Nunca usar gasolina como agente de limpieza.</p> <p>• Nunca usar gasolina como agente de limpieza.</p> <p>• Nunca usar gasolina como agente de limpieza.</p>	<p><b>⚠ DANGER</b></p> <p><b>COMBUSTIBLE EXPLOSIVO</b> Este producto libera vapores de gasolina, un gas venenoso que puede matarlo. No puedes olerlo, verlo o sentirlo.</p> <p>• <b>SOLO</b> utilizar el generador afuera de las casas y lejos de las tomas de aire.</p> <p>• <b>NUNCA</b> utilizar el generador dentro de casas, garajes, sheds, o otros espacios confinados. Estos lugares pueden atrapar el gas venenoso.</p> <p>• <b>NUNCA</b> llenar el tanque de combustible cuando el motor está caliente o funcionando.</p> <p>• Nunca usar gasolina como agente de limpieza.</p> <p>• Nunca usar gasolina como agente de limpieza.</p> <p>• Nunca usar gasolina como agente de limpieza.</p>	<p><b>⚠ PELIGRO</b></p> <p><b>COMBUSTIBLE EXPLOSIVO</b> Este producto libera vapores de gasolina, un gas venenoso que puede matarlo. No puedes olerlo, verlo o sentirlo.</p> <p>• <b>SOLO</b> utilizar el generador afuera de las casas y lejos de las tomas de aire.</p> <p>• <b>NUNCA</b> utilizar el generador dentro de casas, garajes, sheds, o otros espacios confinados. Estos lugares pueden atrapar el gas venenoso.</p> <p>• <b>NUNCA</b> llenar el tanque de combustible cuando el motor está caliente o funcionando.</p> <p>• Nunca usar gasolina como agente de limpieza.</p> <p>• Nunca usar gasolina como agente de limpieza.</p> <p>• Nunca usar gasolina como agente de limpieza.</p>
---	---	--	---	--

34-1676

<p><b>OPERATION</b></p> <p>Read unit Operator's Manual carefully before operating this unit. Always make sure unit is level and properly grounded. Check engine oil before starting.</p> <p><b>START-UP:</b></p> <ol style="list-style-type: none"> <li>1. Open fuel valve.</li> <li>2. Move engine speed control to the run position.</li> <li>3. Turn the key to start position, release as soon as it starts.</li> <li>4. Allow unit to warm-up (2 min.) before applying load.</li> <li>5. Turn main breaker ON to main position.</li> </ol> <p><b>SHUT-DOWN:</b></p> <ol style="list-style-type: none"> <li>1. Remove all electrical loads by turning off and unplugging cords.</li> <li>2. Turn key to off position.</li> <li>3. Depress stop lever on engine speed control.</li> <li>4. Close fuel valve.</li> </ol> <p>*For recoil start see engine manual.</p>	<p><b>D'UTILISATION</b></p> <p>Lire soigneusement le manuel de l'utilisateur avant de se servir de l'appareil. S'assurer toujours que l'appareil est sur une surface plane et qu'il est correctement relié à la terre. Vérifier le niveau d'huile du moteur avant le démarrage. *Pour un démarrage avec lanceur à rappel, voir le manuel du moteur.</p> <p><b>DEMARRAGE:</b></p> <ol style="list-style-type: none"> <li>1. Ouvrir la soupape de carburant de l'appareil ou du moteur.</li> <li>2. Placer la commande de régime du moteur en position de marche.</li> <li>3. Tourner la clef jusqu'à la position de démarrage, puis la relâcher dès le démarrage.</li> <li>4. Permettre à l'appareil de tourner pendant deux (2) minutes pour qu'il se réchauffe avant d'appliquer une charge.</li> <li>5. Tourner l'interrupteur de secteur sur la position marche (ON).</li> </ol> <p><b>ARRÊT:</b></p> <ol style="list-style-type: none"> <li>1. Supprimer toutes les charges électriques en éteignant et en débranchant les raccords électriques.</li> <li>2. Tourner la clef jusqu'à la position d'arrêt.</li> <li>3. Abaisser le levier d'arrêt de la commande de régime du moteur.</li> <li>4. Fermer la soupape de carburant sur l'appareil ou le moteur.</li> </ol>	<p><b>OPERACIÓN</b></p> <p>Lea manual de operador antes de operar esta unidad. Siempre asegúrese que unidad sea plana y conecte a tierra correcto. Revise el aceite de motor antes de empezando. *Para arranque de retroceso vea el manual de motor.</p> <p><b>OPERACIÓN:</b></p> <ol style="list-style-type: none"> <li>1. Abra válvula de combustible en unidad o motor.</li> <li>2. Mueva el control de la velocidad de motor a la posición de función.</li> <li>3. Gire la llave a la posición de arranque, solte tan pronto como lo comienza.</li> <li>4. Permita 2(min) para calentarse de la unidad antes de aplicando la carga.</li> <li>5. Dble cortacircuitos principal a posición de ON.</li> </ol> <p><b>ARRÊT:</b></p> <ol style="list-style-type: none"> <li>1. Quite todas cargas eléctricas como apagando y desenchufando las cuerdas.</li> <li>2. Gire el interruptor de la llave a la posición de OFF.</li> <li>3. Depprima la palanca de parada en el control de la velocidad de motor.</li> <li>4. Cierre válvula de combustible en unidad o motor.</li> </ol>
--	---	--

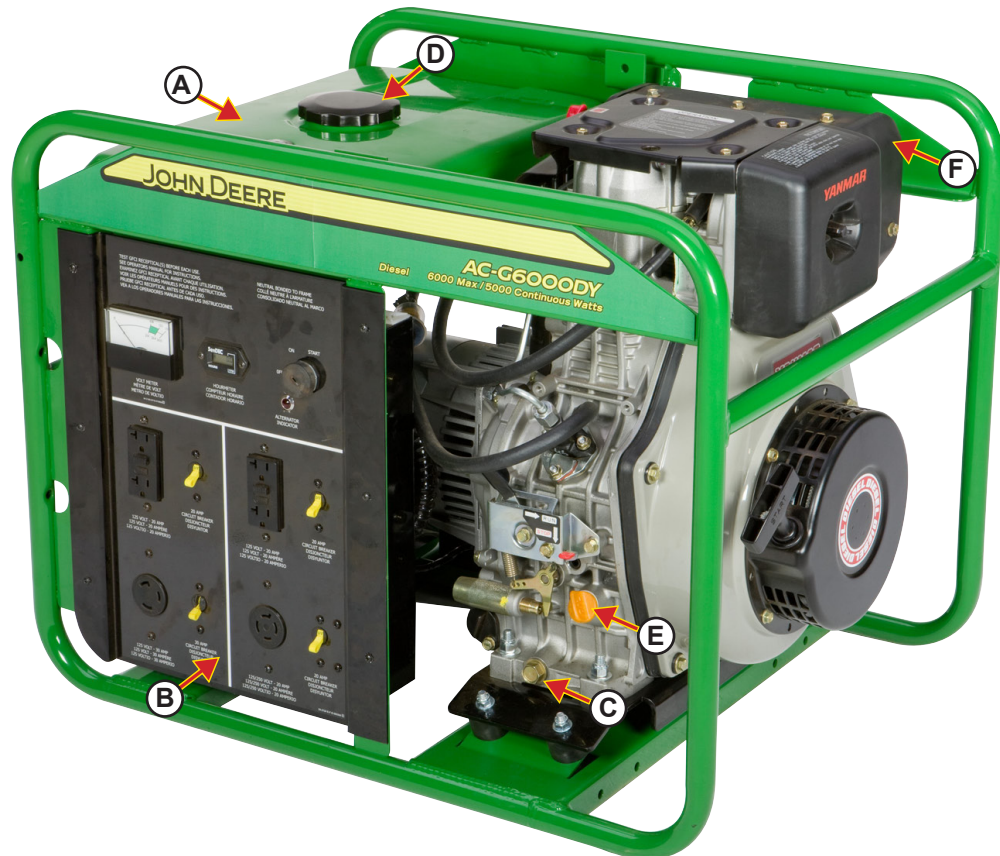
34-2324



34-0889

# Mandos

## MANDOS



**A -- Tanque de  
Combustible  
B -- Panel de Control**

**C-- Tapón de  
Descarga del  
Aceite**

**D -- Tapa de  
Combustible  
E-- Puerto del  
llenador del aceite**

**F -- Moeffe**

# Preparando la Generador

## INSTRUCCIONES DE CONEXION A TIERRA

Este equipo debe conectarse a tierra. La conexión a tierra provee un camino de resistencia reducida a la corriente eléctrica para reducir el riesgo de choque, en caso de malfuncionamiento o falla.

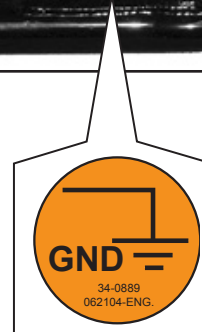
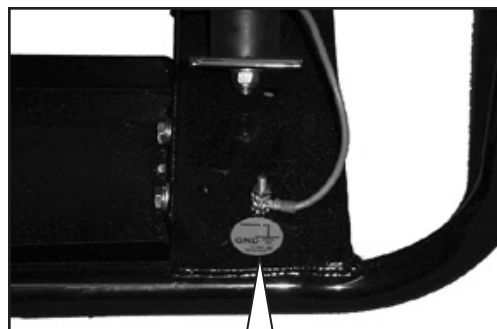
**PELIGRO-LA CONEXIÓN INCORRECTA DEL CONDUCTOR DE CONEXIÓN A TIERRA DEL EQUIPO PUEDE RESULTAR EN UN RIESGO DE ELECTROCUCIÓN. SI USTED TIENE DUDAS ACERCA DE SI EL TOMACORRIENTE ESTÁ CORRECTAMENTE CONECTADO A TIERRA, CONSULTE CON UN ELECTRICISTA CALIFICADO O PERSONAL DE SERVICIO.**



En todos los casos se deberán utilizar la tuerca con orejetas y el terminal de la toma a tierra situados en el armazón para conectar el generador a una fuente de toma a tierra adecuada. Se deberá utilizar un cable de tamaño #8 para efectuar el circuito de la toma a tierra. Conecte el terminal del para la toma a tierra entre la arandela de seguridad y la tuerca con orejetas y apriete la tuerca completamente. Conecte firmemente el otro extremo del cable a una fuente de toma a tierra adecuada.

En el Código Eléctrico Nacional (<<National Electric Code>>) se indican algunos métodos prácticos para establecer una buena fuente para la toma a tierra. Los ejemplos que se indican a continuación ilustran algunos de estos métodos para establecer una toma a tierra adecuada.

Como fuente para la toma a tierra se puede utilizar un conducto metálico subterráneo para el paso de agua que se encuentre en contacto directo con el suelo y que tenga una extensión mínima de 10 pies. En caso de que no disponga de un tubo subterráneo, se puede utilizar un tubo o barra con una longitud de 8 pies como fuente para la toma a tierra. El tubo debería tener un tamaño estándar de 3/4 pulgadas como mínimo, y la superficie exterior debería ser resistente a la corrosión. En caso de que se utilice una barra de acero o hierro, el diámetro de la misma debería ser de 5/8 pulgadas como mínimo. Si se utiliza una barra de un material que no sea hierro, el diámetro de la misma debe ser de 1/2 pulgada como mínimo, y debe estar clasificado como un material adecuado para efectuar la toma a tierra. Introduzca la barra o el tubo a una profundidad de 8 pies. En caso de que el fondo empiece a ser rocoso a una profundidad inferior a cuatro pies, deberá enterrar el tubo o la barra en una zanja. Todas las herramientas e instrumentos eléctricos operados desde este generador deberán tener la toma a tierra adecuada. Para ello se habrá de utilizar un tercer cable, el cual deberá tener un <<Aislamiento Doble>>.



### SE RECOMIENDA QUE:

1. Use dispositivos eléctricos con cables eléctricos de 3 espigas.
2. Use un cable de extensión con 3 tomas y un enchufe de 3 espigas en los extremos opuestos, para asegurar la continuidad de la protección de la toma a tierra que va desde el generador hasta el aparato eléctrico.



Le recomendamos igualmente que se cumplan con todos los reglamentos nacionales, regionales y locales relacionados con las especificaciones de toma a tierra que resulten aplicables.

## CONMUTADOR DE TRANSFERENCIA DE LINEA

Si este generador va a ser utilizado como servicio de reserva para casos de emergencia, será necesario que incorpore un conmutador de transferencia de línea entre el servicio de suministro eléctrico público y el generador. El conmutador de transferencia no sólo evita que la línea de suministro eléctrico público alimente al generador, sino que además impide que el generador alimente a las líneas de suministro de la compañía eléctrica. Se pretende con ello proteger a las personas encargadas del servicio cuando se encuentren trabajando en una línea que pueda estar dañada.



**ESTA INSTALACIÓN DEBERÍA SER EFECTUADA POR UN ELECTRICISTA CERTIFICADO. SE DEBERA CUMPLIR CON TODOS LOS CÓDIGOS LOCALES.**

## CARGA DE COMBUSTIBLE



**CUIDADO: UTILICE SOLO EL PETROLEO ESPECIFICADO DE MOTOR. OTROS OLEOS DE MOTORES PUEDEN AFECTAN EL ALCANCE DE LA GARANTIA, LA CAUSA COMPONENTES QUE INTERNOS DE MOTOR PARA AGARRAR, O PUEDEN CORTAR LA VIDA DEL MOTOR.**

**PREVENGA LA CONTAMINACION DE TIERRA Y ESCOMBROS PARA EL PETROLEO DE MOTOR. LIMPIE CON CUIDADO LA TAPA DE EL PETROLEO/VARILLA GRADUADA Y EL AREA CIRCUNDANTE ANTES DE QUITAR LA TAPA.**

**NUNCA MEZCLE LOS TIPOS DIFERENTES DEL PETROLEO DE MOTOR. ESTE AFECTO PUEDE ADVERSAMENTE LAS PROPIEDADES DE LUBRICAR DEL PETROLEO DE MOTOR.**

**NUNCA RELLENO DEMASIADO. EL RELLENO DEMASIADO PUEDE TIENE COMO RESULTADO EL HUMO BLANCO DEL ESCAPE, FUNCIONA RAPIDA DE MOTOR O DAÑA INTERNO.**

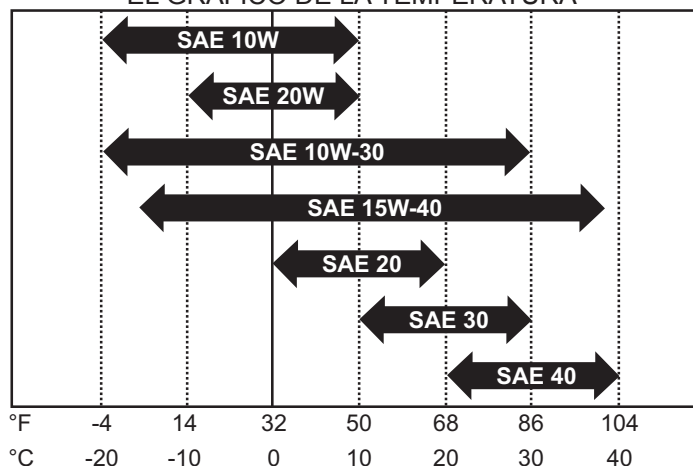
## LA VISCOSIDAD DEL PETROLEO DEL MOTO

Cuidado: utilice solo el petroleo especificado de motor.

### CATEGORÍAS DE SERVICIO

- API categorías de servicio CD or arriba
- ACEA categorías de servicio E-3, E-4, and E-5

EL GRÁFICO DE LA TEMPERATURA



- JASO (Japonés Automóvil estándares organizaciones)

**NOTAS:**

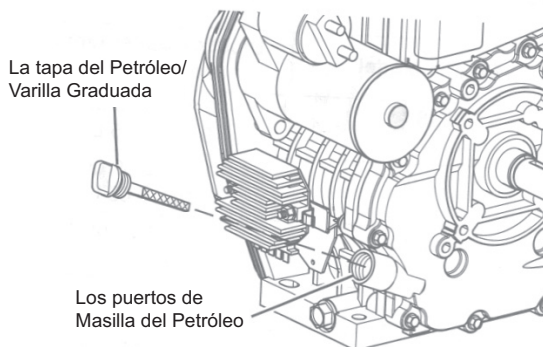
1. Asegúrese que el petróleo del motor, los contenedores para almacenar el petróleo del motor y el equipo utilizados para llenar el petróleo del motor es libre de sedimentos y agua.
2. Cambie el petróleo del motor después de las primeras 50 horas de la operación y entonces en cada 200 horas después.
3. Escoge la viscosidad del petróleo basado en la temperatura del ambiente donde el motor es operado. Vea al SEA- el gráfico en el Grado del Servicio Viscosidad.
4. Yanmar no recomienda el uso de las “añadiduras” del petróleo del motor.

**LA VISCOSIDAD DEL PETROLEO DEL MOTOR**

Escoja la viscosidad apropiada del petróleo del motor basado en la temperatura del ambiente y utilice el SAE - el gráfico del Grado del Servicio Viscosidad.

**PARA LLENAR CON PETROLEO**

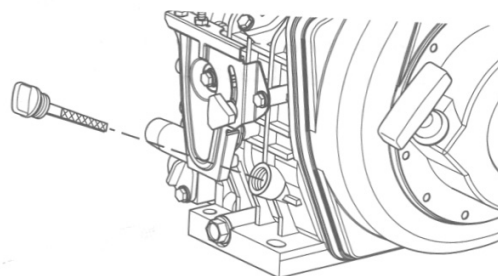
1. Asegúrese que el motor es plano.
2. Quite la tapa del petróleo/varilla de cualquier ubicación y enjague con tela limpia.
3. Agregue la cantidad indicada del petróleo de motor en cualquier uno de los puertos de masilla de petróleo de motor.
4. Espere un minuto y mire (cheque) el nivel del petróleo.
5. Agregue más petróleo si necesario.
6. Reinserte completamente la tapa del petróleo/varilla y apriete a mano. Demasiado apriete causará el daño.



**LA CAPACIDAD DEL PETROLEO DEL MOTOR (TIPICO)**

El siguiente es la capacidad del petróleo de motor para varios motores de series de Yanmar LV..

MODEL #	DIPSTICK UPPER LIMIT/ LOWER LIMIT
L100V	1.7/1.06 QT (1.6/1.0L)



**CARGA DE COMBUSTIBLE**



**ADVERTENCIA: EL COMBUSTIBLE ES EXPLOSIVO!**

**LA GASOLINA (NAFTA) ES UN FLUIDO EXTREMADAMENTE INFLAMABLE Y SUS VA PORES PUEDEN EXPLOTAR EN PRESENCIA**

**DE UNA CAUSA DE IGNICIÓN.**

**GUARDE EL COMBUSTIBLE EN RECIPIENTES APROBADOS ESPECIALMENTE PARA ELLO, EN LUGARES BIEN VENTILADOS, NO HABITADOS, Y ALEJADOS DE LLAMAS Y CHISPAS.**

**NO CARGUE COMBUSTIBLE CON EL MOTOR CALIENTE O EN MARCHA, YA QUE UN DERRAME PODRÍA INCENDIARSE SI ENTRA EN CONTACTO CON UNA PIEZA MUY CALIENTE O CON LA CHISPA DE UNA BUJÍA. NO ARRANCAR EL MOTOR CERCA DE COMBUSTIBLE DERRAMADO.**

**NO USE COMBUSTIBLE COMO LÍQUIDO LIMPIADOR.**



**ADVERTENCIA: NO CARGUE EN EXCESO EL TANQUE DE COMBUSTIBLE. DEJAR ESPACIO PARA LA EXPANSIÓN DEL COMBUSTIBLE.**

**RECOMENDACIONES GENERALES**

- Compre gasolina de diesel en pequeñas cantidades y la tienda en contenedores limpios y aprobado.
- Para minimizar depositos de goma en su sistema del combustible y para asegurar comenzar fácil, no utiliza gasóleo dejó sobre de la temporada anterior.
- No agregue el petróleo al gasóleo.

**ESPECIFICACIONES DE GASOLEO**

El gasóleo debe conformarse con las especificaciones siguientes. La lista tiene varias especificaciones mundiales para gasóleos.

**REQUISITOS TECNICOS ADICIONALES DE COMBUSTIBLE.**

- El número de cetane de combustible debe ser igual a 45 o más alto.
- El contenido de azufre no debe exceder 0,5 % por vlume. Menos de 0,05% es preferido.
- Los Bio-Gasóleo- Vea abajo.
- Nunca mezcle queroseno, el petróleo del motor que es viejo o utilizado, ni combustibles residuales del gasóleo.
- Agua y el sedimento en el combustible no debe exceder 0,05% por el volumen. Siempre mantenga limpio el tanque del combustible y el equipo que maneja abastece de combustible.
- El combustible de la mala calidad puede reducir el desempeño del motor y/o el daño de la causa al motor.
- Las añadiduras para abastecer de combustible no son recomendados. Algunas añadiduras del combustible pueden causar poco rendimiento de motor. Consulte a su Representante de Yanmar para más información.
- El contenido de Ceniza para no exceder 0,01% por

La especificación de Gasóle	Ubicación
No. 2-D, No.1-D, ASTM D975-94	EEUU
EN590:96	Unión Europea
ISO 8217 DMX	Internacional
BS 2869-A1 or A2	Reino Unido
JIS K2204 Grade No. 2	Japón
KSM-2610	Corea
GB252	China

el volumen.

- El contenido de residuo del carbón para no exceder 0,35% por el volumen. Menos de 0,1% es preferido.
- El contenido total de aromático no debe exceder 35% por el volumen. Menos de 30% es preferido.
- PAH (hidrocarburos aromáticos Policíclicos) el contenido debe estar debajo de 10% de volumen.
- El contenido de Metal de Na, el Mg, Si y Al deben ser iguales o más bajo que 1 ppm masivo. (El método de analisis de prueba de JPI-5S-44-95).
- La lubricidad: Marca de Lleve de WS1.4 debe ser el Max. 0.018in (460 p.m.) a la prueba de atHFRR.

### **COMBUSTIBLES DE BIO-DIESEL**

En Europa y en Estados Unidos, así como algunos otros países, los recursos del petróleo no-mineral se basaron el combustible como RME (el Metilo de Semilla de colza Ester) y SOME (el Metilo de la Soja Ester), colectivamente conocido como FAMA (el Metilo de Acido graso Ester), son utilizados como de extensión para el petróleo mineral de gasóleos.

Yanmar aprueba el uso de bio-gasóleo que no exceden una mezcla de 5% (por el volumen) de la FAMA con 95% (por el volumen) del petróleo mineral aprobado que es derivado gasóleo. Tal combustible biológico es conocido en el mercado como combustibles B5.

#### **Estos gasóleos B5 deben encontrar requisitos específicos.**

1. El combustible biológico debe encontrar las especificaciones mínimas para el país en el que son utilizados.

En Europa, los bio-gasóleo deben conformarse con el europeo Estándar EN14214. En Estados Unidos, el combustible biológico debe conformarse con el ASTM D Estándar norteamericano-6751.

2. El combustible biológico debe ser comprado sólo de suministradores de gasóleo que es reconocido y es autorizado.

### **LAS PRECAUCIONES Y CONCIERNE CON RESPECTO AL USO DE COMBUSTIBLE BIOLÓGICO.**

1. El metanol libre en la FAMA puede tener como resultado la corrosión de aluminio y componentes de zinc FIE.
2. Liberte agua en la FAMA puede tener como resultado tapar de filtros de combustible y un aumento en el crecimiento de bacterias.
3. La viscosidad alta en temperaturas bajas puede tener como resultado los problemas de transportar del combustible, los ataques en la bomba de inyección, y en la atomización pobre del rocío de boca de inyección.
4. FAMA puede tener el efecto adverso en algunos Elastómer (las materias del sello) y puede tener como resultado merma de combustible y dilución del motor que lubrica el petróleo.
5. Aún bio-gasóleo que se conforman con un estándar

conveniente como transportado, requerirán el cuidado y la atención adicionales a mantener la calidad del combustible en el equipo u otros depósitos. Es importante mantener un suministro del combustible limpio y fresco. Limpiar regularmente del sistema del combustible y/o los contenedores para el almacenamiento puede ser necesario.

6. El uso de bio-gasóleo que no se conforman con los estándares aceptó como por los fabricantes de motores diesel y los fabricantes de equipo para inyecciones de gasóleo, o de los bio-gasóleo que han degradado de acuerdo con las precauciones y conciernen encima de puede afectar el alcance de la garantía de su motor.

## INSTALACIÓN DE BATERÍA



**ADVERTENCIA: DEBERÁ HACER DE UN CONCESIONARIO AUTHORIZADO DE JOHN DEERE.**

**BATTERY REPLACEMENT #**

32-0058

## ALTITUD ALTA

Observe que las condiciones siguientes de operar en el ambiente para mantener que el desempeño del motor y para evitar el uso del motor que es prematuro.

- Nunca corra el motor si la temperatura del ambiente es arriba 104°F o abajo
- Si la temperatura del ambiente excede 104F que el motor puede recalentar y poder causar el petróleo de motor a roto.
- Si la temperatura del ambiente se cae debajo de componentes 14F de caucho como juntas de culata y los sellos endurecerán causando el uso y el daño del motor que es prematuro.
- Contacte su comerciante o el distribuidor de motores industriales que es autorizado por Yanmar si el motor será operado en cualquier extremos de temperaturas.
- Contacte su comerciante o el distribuidor de motores industriales que es autorizado por Yanmar si usted necesita para operar el motor a altitudes grandes. A altitudes grandes el motor perderá el poder, no corre lisamente, y produce gases de escape que exceden el especificaciones del diseño.

# Operación

## OPERACIÓN

### ARRANQUE DE RETROCESO

*NOTA: Lea manual de operador antes de operar esta unidad. Siempre asegúrese que unidad sea plana y conecte a tierra correcto. Revise el aceite de motor antes de empezando.*

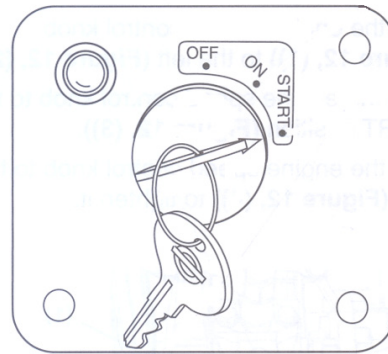
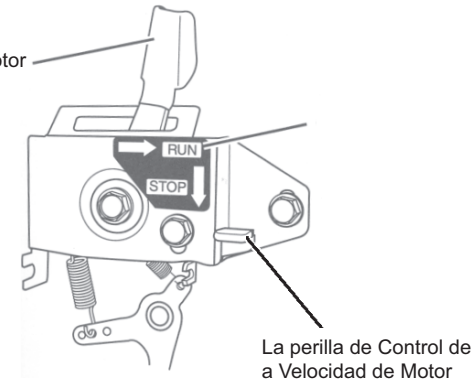
### COMIENZO ELÉCTRICO

**! CUIDADO: NUNCA UTILICE UNA AYUDA COMO ETER PARA COMENZAR EL MOTOR. EL DAÑO A MOTOR RESULTARA.**

Utilice el procedimiento siguiente para comenzar el motor.

1. Asegúrese la palanca del combustible es prendido.
2. Ponga el control de la velocidad de motor a CORRER / FUNCIONAR
3. Inserta la llave en el interruptor clave.
4. Gire la llave a la derecha a la posición del COMIENZO. Suelte la llave tan pronto como el motor comienza. Volverá a la posición de ON.
5. Si el motor no comienza:
  - A. Espere hasta que el motor venga a una parada completa antes usted procura comenzarlo otra vez. Comprometer el principio mientras el motor todavía gira tendrá como resultado el daño al motor del principio y el volante.
  - B. Espere por lo menos 30 segundos antes usted procura comenzar el motor otra vez. Esta pausa permitirá el voltaje de batería para recuperar para prevenir el daño al motor del principio debido al voltaje bajo de batería.
6. Permite la unidad a opere por dos (2) minutos para precalentamiento.
7. Doble cortacircuitos principal a posición de ON (GEN-6000).
8. Examine recipiente(s) de GFCI en la unidad. Empuje el botón de exam. El botón de colocar debe saltar y no debe tener potencia al recipiente. Aplique una carga de examinar o luz a cada recipiente para verificar. SI BOTÓN DE COLOCAR NO SALTE, NO USE LOS RECIPIENTES. VEA CONCESIONARIO PARA SERVICIO INMEDIATAMENTE.
9. Si recipientes examine correcto, empuje el botón de colocar para restablecer potencia. Debe oír o sentir un taconazo distinto cuando este es completo. SI RECIPIENTES NO COLOCAR CORRECTO, NO USE RECIPIENTES. VEA CONCESIONARIO PARA SERVICIO INMEDIATAMENTE.

La palanca de Control de la Velocidad de Motor



### PARADA DEL MOTOR

**! EL CUIDADO: PARA LA VIDA MAXIMA DEL MOTOR, YANMAR RECOMIENDA QUE AL CERRE EL MOTOR HACIA ABAJO, USTED PERMITE EL MOTOR PARA HOLGAZANEAR SIN LA CARGA DURANTE 5 MINUTOS. ESTO PERMITIRA LOS COMPONENTES DEL MOTOR QUE OPERAR EN TEMPERATURAS ALTAS,**

**COMO EL TURBOCARGADO (SI EQUIPADO) Y SYSTEME DE EL ESCAPE, PARA REFRESCAR LIGERAMENTE ANTES EL MOTOR MISMO ES CERRADO.**

Ponga el control de la velocidad del motor a parar



**CUIDADO: SI EL MOTOR CONTINUA FUNCIONAR DESPUES DE QUE USTED POSICIONE EL CONTROL DE LA VELOCIDAD DEL MOTOR A LA POSICION DE LA PARADA, GIRA LA PALANCA DEL COMBUSTIBLE A LA POSICION DE CERRADO.**

1. Apriete el botón de la PARADA y el control de la velocidad del motor volverán automáticamente a la posición de la PARADA.

*La nota: La palanca de control de la velocidad es cargada con un muelle tan cuando usted aprieta en el botón de la PARADA, la palanca de control de movimientos de velocidad apoya a la posición de OFF. No hay posición del holgazán ni velocidades que son intermedio.*

### MODELOS CON COMIENZO ELECTRICICO

Gire la llave a la posición de OFF y quite del interruptor de clave.

### DESPUES DEL MOTOR PARA

1. Mueva la palanca del combustible a la posición de cerrado.
2. Tire lentamente el asidero del principio de culatazo fuera al grano de resistencia (el punto en el golpe de la compresión donde las válvulas de la toma y el escape son cerradas). Esto ayuda a prevenir la oxidación mientras el motor no está en el uso.
3. Si el motor no será utilizado por seis meses ni más, sigue las instrucciones adicionales en el almacenamiento.

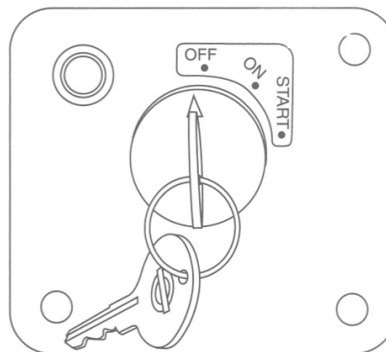
### CONTROLES

PANEL DE CONTROL:

Los generadores vienen equipados con los siguientes elementos:

- Contador de Hora
- Metro de Voltio
- Control de Marcha en Vacío
- Dos 125 Voltio, 20 amperio, Dúplex (2 tomacorrientes)
- Recipientes con protección de GFCI
- Uno 125 voltio, 30 amperio, Recipiente con retención
- Uno 125/250 voltio, 20 amperio, Recipiente con retención.

*NOTA: Los receptáculos con retención, tanto de 125 voltios, 20 amperes como de 125/250 voltios, 30 amperes NO TIENEN PROTECCIÓN PRO FALLA A TIERRA. Si este tipo de protección fuera nec-*



esaria en estos receptáculos, se deben instalar disyuntores externos. En la sección de "Interrup-tor de circuitos por falla a tierra" se puede obtener más información sobre el tema.



**ADVERTENCIA: NO SUPERAR LA CARGA NOMINAL DE UN RECEPTÁCULO. LOS RECEPTÁCULOS ESTÁN PROTEGIDOS CONTRA SOBRECARGA ELÉCTRICA MEDIANTE INTERRUPTORES TERMOMAGNÉTICOS CON BOTÓN DE REPOSICIÓN. SI UN INTERRUPTOR SE DISPARA, DESCUBRIR Y SOLUCIONAR EL PROBLEMA ANTES DE VOLVER A CONECTAR EL INTERRUPTOR.**

## CONTROLES

### CONTADOR DE HORAS:

El contador de horas de estos generadores mide el tiempo que la máquina está en servicio. Esto es muy útil para programar tareas de mantenimiento. En el cuadro de mantenimiento periódico se ofrecen sugerencias para la programación del mantenimiento.

### METRO DE VOLTIO:

Estos generadores son equipados con un metro de voltio. El metro de voltio se usa a monitorizar la unidad para voltaje correcto.

### TRITURADOR PRINCIPAL

Estos generadores se equipan de un disyuntor principal que proteja hasta adentro una condición de sobrecarga. Este triturador principal debe ser "ON" para que cualquier energía sea extraída de la unidad.

### EL TAMAÑO DE CABLE

El daño al equipo puede resultar del voltaje bajo. Por lo tanto, para prevenir gota excesiva del voltaje entre el generador y el equipo, el cable debe ser del calibre adecuado para la longitud que es utilizada. El gráfico de la selección de cable da las longitudes máximas de cable para varios calibradores de alambre que puede llevar adecuadamente las cargas que es mostrado.

### CARGAS DEL MOTOR ELECTRICO:

Una de las características de los motores eléctricos comunes es que, en el momento de arrancar, necesitan multiplicarse veces la potencia requerida para su funcionamiento. Ud. puede utilizar esta tabla para calcular los vatios requeridos para el arranque de los motores eléctricos de "CODE G" (CODIGO G).



**PRECAUCIÓN: EN EL CASO DE QUE UN MOTOR NO ARRANQUE O NO ALCANCE LA VELOCIDAD NECESARIA PARA SU FUNCIONAMIENTO, DEBERÁ APAGAR INMEDIATAMENTE EL EQUIPO ELÉCTRICO O EL INSTRUMENTO PARA EVITAR DAÑOS A LOS MISMOS. SIEMPRE DEBERÁ COMPROBAR LOS REQUISITOS DEL INSTRUMENTO O EQUIPO ELÉCTRICO QUE SE VA A UTILIZAR, EN COMPARACIÓN CON LA CAPACIDAD NOMINAL DEL GENERADOR.**



CORRIENTE EN AMPERIOS	CARGA EN VATIOS		MAXIMA LONGITUD ADECUADA DE CABLE (ALAMBRE DE CABLE)				
	A 120 VOLTIOS	A 240 VOLTIOS	#8	#10	#12	#14	#16
2.5	300	600		1000 ft	600 ft	375 ft	250 ft
5	600	1200		500	300	200	125
7.5	900	1800		350	200	125	100
10	1200	2400		250	150	100	50
15	1800	3600		150	100	65	
20	2400	4800	175 ft	125	75	50	
25	3000	6000	150	100	60		
30	3600	7200	125	65			
40	4800	9600	90				

TAMAÑO DEL MOTOR (CV)	VATIOS DE FUNCIONAMIENTO	VATIOS REQUERIDOS PARA ARRANCAR EL MOTOR		
		REPULSIÓN DE INDUCCIÓN	CAPACITOR	FASE DIVIDIDA
1/8	275	600	850	1200
1/6	275	600	850	2050
1/4	400	850	1050	2400
1/3	450	975	1350	2700
1/2	600	1300	1800	3600
3/4	850	1900	2600	
1	1100	2500	3300	

# Localización de Fallas

## SÍNTOMA

El motor no arranca.

## PROBLEMA

Interruptor de motor está en posición de OFF.

El tanque de combustible está vacío.

## SOLUCIONES

Doble interruptor de motor a posición de ON.

Llene el tanque como las instrucciones de este manual.

No hay salida de voltaje del generador.

Arranque de control de marcha en vacío.

Serie de cordón o extensiones inadecuados.

Coloque control de marcha en vacío.

Revise capacidades de series de cordón o extensiones en sección de Controles; Tamaño de Cable en este manual.

Consultar con un concesionario de John Deere.

# Servicio

## MANTENIMIENTO

### MANTENER LIMPIAS LAS ABERTURAS DE VENTILACIÓN.

Mantenga el generador limpiado. No rociar con agua. Revisar periódicamente los tornillos y pernos, y ajustarlos en la medida de lo necesario (véase el cuadro de mantenimiento periódico).

### REGISTRO DE PRUEBAS DE DISYUNTORES DE FALLA A TIERRA:

Al igual que otros dispositivos de seguridad, el GFCI incorporado a estos generadores requiere una inspección mensual para comprobar que funcione correctamente. Para someter el GFCI a prueba, siga las instrucciones y registre la fecha de la prueba en el cuadro que véase la ilustración más abajo.

1. A continuación, oprima el botón <<TEST>> (prueba), lo cual hará que se levante el botón >><<RESET>> (posición inicial). Esto interrumpirá el suministro de electricidad hacia ambos toma corrientes del enchufe doble. Compruebe la interrupción una lámpara en cada tomacorrientes.



**ADVERTENCIA:** SI EL BOTÓN DE COLOCAR NO SALTE AFUERA, NO USE EL

**RECIPIENTE(S). VEA UNCONCESIONARIO AUTORIZADO DE JOHN DEERE PARA SERVICIO INMEDIATAMENTE.**

2. Si el resultado de la prueba indica que el GFCI funciona correctamente, conéctelo nuevamente a la electricidad presionando FIRMEMENTE el botón <<RESET>> (posición inicial) hasta que escuche con claridad un clic o sienta que ha vuelto a caer en posición.
3. La alta vibración o el efecto de cargas mecánicas severas pueden hacer que el GFCI se dispare. SI EL GFCI SE DISPARA POR SI MISMO EN CUALQUIER MOMENTO, vuelva a ponerlo en la posición inicial y póngalo a prueba según se indica en los puntos anteriores 1 y 2.
4. Para el segundo disyuntor de falla a tierra, repetir los pasos 1 a 3.



**ADVERTENCIA:** AUNQUE LOS PROCEDIMIENTOS DE EXAMEN ARRIBA INDICARÁN OPERACIÓN CORRECTO EN UN GENERADOR BAJO TIERRA O A TIERRA INCORRECTO, EL GENERADOR TIENE QUE TOMAR A TIERRA DE INSTRUCCIONES DE CONEXIÓN A TIERRA QUE ESTÁ EN UNA LISTA DE PARA GFCI OPERE CORRECTO Y PARA PROTEJAR EL USADOR DE FALLAS ELÉCTRICAS.

Año	Ene.	Feb.	Mar.	Apr.	Mayo	Jun.	Jul.	Ago.	Sep.	Oct.	Nov.	Dic.

**NOTA:** Existen casos en los que el GFCI no ofrece protección contra el peligro de contacto con la electricidad, EJEMPLO: Si una persona toca dos conductores o más de un cordón eléctrico defectuoso y no se encuentra en contacto con la tierra, puede entonces experimentar un contacto con la electricidad. Dado que no existe una vía para que pase la corriente de pérdida a tierra, el GFCI no funcionará y puede ocasionar daños graves.

El GFCI es simplemente una característica de seguridad adicional. No existe ningún dispositivo que pueda reemplazar las buenas medidas de seguridad en las tareas eléctricas y el mantenimiento adecuado de los cables, del equipo y de las conexiones.

## MOTOR:

El motor de este generador está gobernado para funcionar a velocidades próximas a 3600 RPM (60Hz) durante la marcha dentro del rango de cargas admisibles. La velocidad del motor antes de la aplicación de la carga es levemente mayor que la velocidad baja carga, y normalmente está regulada a 3750 RPM.



**ADVERTENCIA: NO ALTERAR EL MECANISMO DEL GOBERNADOR DE VELOCIDAD DE LA MÁQUINA, NI CAMBIAR SU CALIBRACIÓN PARA EXPERIMENTAR, NI ABRIR AL MÁXIMO EL ACELERADOR PARA TRATAR DE GENERAR MÁS POTENCIA ELÉCTRICA, YA QUE SE PUEDE DAÑAR EL EQUIPO O CAUSAR ACCIDENTES PERSONALES.**

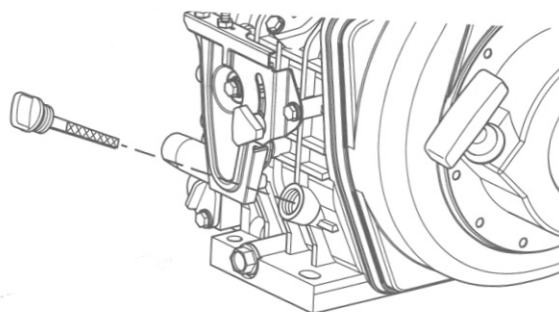
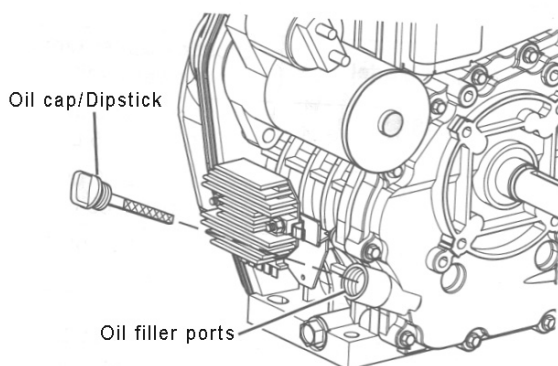
**LA REGULACIÓN DEL GOBERNADOR DE VELOCIDAD SE DEBE LLEVAR A CABO ÚNICAMENTE EN UN CONCESIONARIO DE JOHN DEERE.**

### CAMBIO DE ACEITE DEL MOTOR:

Cambie el aceite después de las primeras 50 horas de funcionamiento, y después hacerlo cada 200 horas.

### DESAGÜE DE LA SIGUIENTE MANERA:

1. Asegúrese el motor es nivel.
2. Comience el motor y lo traiga a la temperatura de operar.
3. Pare el motor.
4. Quite la tapa del petróleo/varilla graduada permitir el petróleo del motor para desaguar más fácilmente.
5. Coloque un contenedor bajo el motor para reunir el petróleo que no es utilizado.
6. Quite el tapón del desaguadero que es situado en el fondo del bloque del cilindro. Permita el petróleo para desaguar.
7. Después de todo del petróleo ha desagüado del motor, instala el tapón del desaguadero y aprieta a 14-17 lbs. del p.
8. Disponga apropiadamente de todo petróleo que no es utilizado.



### PARA LLENAR DEL PETROLEO:

1. Asegúrese el motor es nivel.
2. Quite la tapa del petróleo/varilla graduada.
3. Agregue la cantidad indicada del petróleo de motor en cualquier uno de los puertos de masilla del petróleo de motor.
4. Espere un minuto y verifique el nivel del petróleo.
5. Agregue más si es necesario.
6. Reinserte completamente la tapa del petróleo/varilla graduada y apriete a mano.



**PRECAUCIÓN: EL ACEITE PODRÍA ESTAR MUY CALIENTE. TOMAR PRECAUCIONES PAR EVITAR LESIONES PERSONALES. DESECHAR EL ACEITE USADO SEGÚN LOS REGLAMENTOS VIGENTES.**

**FILTRO DE AIRE:**

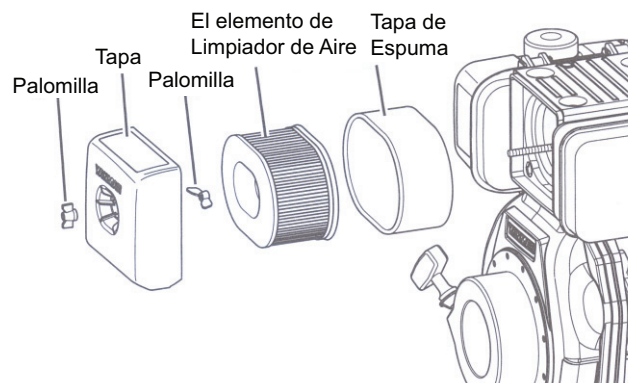


**ADVERTENCIA: LIMPIE EL ELEMENTO DEL FILTRO EN UN ÁREA BIEN VENTILADA. ASEGURARSE DE QUE NO HAYAN ELEMENTOS QUE PRODUZCAN CHISPAS NI LLAMAS EN LAS CERCANÍAS DEL LUGAR DE TRABAJO, INCLUYENDO LLAMAS PILOTO. NO USE COMBUSTIBLES NI SOLVENTES DE BAJO PUNTO DE IGNICIÓN PARA LIMPIAR EL ELEMENTO DEL FILTRO, YA QUE SE PONRÍA GENERAR UN INCENDIO O UNA EXPLOSIÓN.**

**PRECAUCIÓN: NO PONGA EL MARCHA EL MOTOR SIN EL FILTRO DE AIRE, YA QUE SE PODRÍAN CAUSAR SERIAS AVERÍAS.**

El desempeño del motor es afectado adversamente cuando el elemento del limpiador de aire es atascado con polvo. Esté seguro limpiar periódicamente el elemento del filtro de aire.

1. Quite la palomilla.
2. Quite la tapa del limpiador de aire.
3. Quite la palomilla.
4. Quite el elemento del limpiador de aire y el elemento exteriores de espuma.
5. Sopla algún aire por ambos elementos que utilizan 42-71 aire de PSI comprimieron para quitar las partículas. Utilice la presión más baja de aire para quitar el polvo sin dañar los elementos.
6. Si cualquiera de los elementos tienen el daño, reemplace ambos de los elementos (los elementos no venden individualmente)
7. Limpie el dentro de la tapa del limpiador de aire.
8. Instale el elemento de limpiador de aire en el caso de limpiador de aire.
9. Deslice el elemento exterior de espuma sobre el elemento de limpiador de aire.
10. Instale la palomilla y apriete a mano. Apretando demasiado de la palomilla dañará la asamblea de limpiador de aire.
11. Instale la tapa del limpiador de aire.
12. Instale la palomilla y apriete a mano. Apretando demasiado de la palomilla dañará la asamblea de limpiador de aire.



**CUADRO DE MANTENIMIENTO PERIÓDICO:**

El mantenimiento de un motor a intervalos regulares

asegura su funcionamiento satisfactorio por largos periodos. En el siguiente cuadro de mantenimiento periódico se indican los elementos a inspeccionar y mantener, y la frecuencia de ejecución de las tareas, que está marcada con un punto alineado con la tarea involucrada.

*NOTA: Para ciertas tareas de regulación y calibración es necesario utilizar herramientas y equipos especiales. Para calibrar la velocidad en vacío y de servicio, es sumamente conveniente contar con un tacómetro electrónico.*

Servicio

	Diario	Cada 25 horas	Cada 100 horas	Cada 200 horas	Antes de almacenar
Inspeccionar nivel de combustible	•				
Inspeccionar nivel de aceite del motor	•				
Inspeccionar estado de tornillos y tuercas	•				
Inspección para detectar pérdidas	•				
Inspección de limpieza de aletas de cilindro y tapa de cilindros	•				
Inspección de nivel de electrolito de batería	•				
Inspección de línea de combustible (cambiar si fuera necesario)	•				
Limpieza del elemento de espuma del filtro de aire (**)		•			
Ajuste de tuercas y tornillos (*)			•		
Cambio de aceite del motor (*)				•	
Limpieza del filtro de combustible			•		
Cambio del elemento de papel del filtro de aire (**)			•		
Limpieza de aletas de cilindro y tapa de cilindros (**)			•		
Limpieza y calibración de luz de bujía				•	
Agregar estabilizador de combustible					•
Dejar la unidad marcha hasta consumir el combustible					•

\* Ejecutar esta tareas después de las primeras cincuenta (50) horas de servicio, y después con la frecuencia indicada.

\*\* Aumentar la frecuencia si la unidad trabaja en ambientes muy polvorientos.

**NOTA:** Estas tareas se deben ejecutar con las herramientas adecuadas. A menos que el usuario tenga el conocimiento y las herramientas necesarias, llevar la unidad al servicio técnico de un concesionario de John Deere.


### ANOTE NÚMERO SERIE

Escriba número de modelo, numero serie de máquina (vea etiqueta de número serie (A) en ilustración y fecha de compra en espacios abajo. Su concesario necesita esta información cuando ordenando partes.

Num. de modelo \_\_\_\_\_

Num. serie de máquina \_\_\_\_\_

Fecha de compra \_\_\_\_\_  
(llene de comprador)

GENERATOR	
MODEL NO. _____	SERIAL NO. _____
CONTINUOUS OUTPUT, W _____	DATE CODE _____
VOLT, V _____	INSULATION CLASS _____
AMP, A _____	RATED RPM _____
FREQUENCY, Hz _____	MAX. AMBIENT TEMP., °C _____
	
FOR ELECTRICAL EQUIPMENT ONLY POUR MATERIEL ELECTRIQUE SEULEMENT	
201473      Made in U.S.A.      34-0075-100300-ENG.	

# Almacenamiento

## ALMACENAMIENTO

### A CORTO PLAZO (1 A 6 MESES):

1. Agregue acondicionador y estabilizador de combustible, con la concentración adecuada.
2. Ponga en marcha la unidad durante dos (2) minutos para asegurar que la mezcla de combustible se distribuya en todo el circuito. Cierre la válvula de combustible y dejar en marcha la unidad hasta que se detenga.
3. Limpie la superficie externa del generador y aplique una capa de inhibidor de corrosión.
4. Almacene el generador en un lugar seco y bien ventilado.

### A LARGO PLAZO (MÁS DE 6 MESES):

1. Agregue acondicionador y estabilizador de

combustible, con la concentración adecuada.

2. Ponga en marcha la unidad hasta se consuma el combustible en el tanque
3. Tire lentamente el asidero del principio de culatazo al grano de resistencia (el punto en el golpe de la compresión que las válvulas de la toma y el escape son cerradas). Esto ayudará a prevenir la oxidación mientras el motor no está en el uso.
4. Limpie la superficie externa del generador y aplique una capa de inhibidor de corrosión.
5. Almacene el generador en un lugar seco y bien ventilado.



**ADVERTENCIA: VACIE EL COMBUSTIBLE EN UN ÁREA BIEN VENTILADA Y GUARDARLO EN UN RECIPIENTE APROBADO PARA DICHO USO.**

# Especificaciones

## ESPECIFICACIONES

ARTÍCULO	ESPECIFICACIÓN
Motor	AC-G6000DY Yanmar
Potencia Nominal (Vatios CA)	5000 watts
Potencia Nominal Intermitente (Vatios CA)	6000 watts
Voltaje Nominal (CA)	120/240V
Corriente Nominal (AMP)	50/25
Regulación de Voltaje	41.7/20.8
Frecuencia	60 Hz
Capacidad del Tanque de Combustible	10.21 liters.
Horas de Servicio por Tanque de Combustible*	6.5 hrs.
Batería de Arranque eléctrico	#32-0058
* A carga nominal	

**NOTA:** Las capacidades nominales de las diferentes unidades se basan en el funcionamiento bajo condiciones normales de 15.56°C, estando situadas a nivel del mar. El rendimiento del generador requiere una modificación de su capacidad nominal en función de la temperatura y de la altitud, a razón del 1% por cada 5.56°C sobre 15.56°C, y a razón del 3.5% por cada 304.80 metros sobre el nivel de mar. Debido a las características del funcionamiento del interruptor de circuito de tipo térmico, *dism*  
Debido a los esfuerzos realizados por mejorar continuamente nuestros productos, las especificaciones pueden cambiar sin aviso.



# Accessories

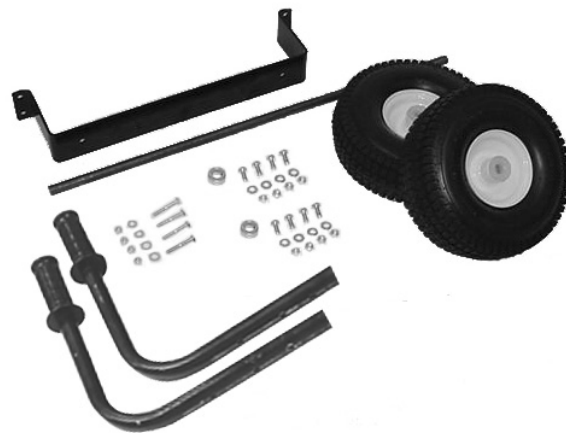
## **KIT DE GANCHO DE LEVANTAR: AW-5090-0007**

Usado para levantando seguro el generador. Kit de Gancho de Levantar incluir gancho de levantar, maquinaria, y instrucciones que necesario para ensamblar gancho de levantar al generador.



## **KIT DE RUEDA Y MANIVELA: AW-5740-0011**

Permite transferible más fácil de generador. Kit de Rueda y Manivela incluir las ruedas, manivelas, maquinaria y las instrucciones para ensamblar el kit al generador.



# GARANTÍA

## DECLARACIÓN DE GARANTÍA

John Deere garantiza que todas las piezas (excepto aquellas a las que se hace referencia abajo), de su nueva generador libres de defectos en materiales y mano de obra durante los periodos siguientes:

Por dos (2) año a partir de la fecha original de compra.

Las piezas defectuosas que no están sujetas a deterioro causado por el uso serán reparadas o reemplazadas a nuestra opción durante el periodo de garantía. En todo caso, el reembolso está limitado al precio de compra pagado.

### EXCLUSIONES

1. El motor está cubierto bajo una garantía por separado que su respectivo fabricante ofrece y queda sujeto a los términos establecidos en dicha garantía.
2. Esta garantía no cubre las piezas que son dañadas debido al desgaste normal, aplicación incorrecta, uso erróneo, operación en otro que recomendado. La falta de seguir funcionar recomendado y los procedimientos de mantenimiento anular la garantía también.
3. El uso de otras piezas de reparación genuinas del fabricante anulará la garantía.
4. Las piezas vueltas, pagado por adelantado a nuestra fábrica o a un centro de servicio autorizado de John Deere serán examinadas y reemplacen gratuitamente si estan encontradas para ser defectuosas y conforme a garantía. No hay garantías que extienden más de la descripción de la cara de esto. Debajo de ningunas circunstancias el fabricante tendrá algo responsabilidad de perdida de uso de la unidad, la perdida de tiempo o de alquiler, la inconveniencia, la perdida comercial o los daños consecuentes.

PARA SERVICIO O CONSIDERACION DE LA GARANTIA CONSULTE CON:  
Mi-T-M® Corporation/8650 Enterprise Drive, Box 50/Peosta, IA 52068-0050  
Telefono: 1-877-JD-KLEEN / (1-877-535-5336) Fax: 563-556-1235  
Lunes - Viernes 8:00 a.m. - 5:00 p.m. CST

## DECLARACION DE GARANTIA DE EMISIONES DE CALIFORNIA

### SUS DERECHOS DE GARANTIA Y OBLIGACIONES

La Tabla de Recursos Aéreos de California y John Deere están felices para explicar la garantía de sistema de control de emisiones en su pequeño motor todoterreno (SORE). En California, Pequeños Motores Todoterreno que son nuevos tiene que ser diseñado, para ser construido y para ser equipado para encontrar los estándares rigurosos de Estado de niebla espesa con humo limitada. John Deere debe justificar el sistema de emisiones controla en su Pequeño Motor Todoterreno por los espacios de tiempo listó abajo proporcionado no ha habido abuso, el descuido ni el mantenimiento impropios de su Pequeño Motor Todoterreno.

Su sistema de control de emisiones puede incluir partes como el sistema de carburador o inyección, las líneas de combustible y el sistema de ignición. También puede incluir mangas, las abrazaderas, los conectores y otros componentes asociados.

Dónde existe un warrantable de condición, John Deere reparará su Pequeño Motor Todoterreno en ningún costo a usted incluye diagnóstico, las partes y trabaja.

### ALCANCE DE GARANTIA POR FABRICANTE

Este sistema de control de emisiones tiene garantía durante dos años. Si cualquier parte que es relacionada a emisiones en su motor es defectuosa, la parte será reparada o será reemplazada por John Deere.

### RESPONSABILIDADES DE GARANTIA PARA EL PROPIETARIO

-Como el propietario del Pequeño Motor Todoterreno, usted es responsable de desempeño del mantenimiento necesario que listó en su manual de propietario. John Deere recomienda que usted retenga todos recibos que cubren en su manual de propietario. John Deere recomienda que usted retenga todos recibos que cubren mantenimiento en su Pequeño Motor Todoterreno, pero en John Deere no puede negar de garantía para la falta de recibos solo.

-Como el propietario del Pequeño Motor Todoterreno que usted debe saber que John Deere puede negar que alcance de garantía si su Pequeño Motor Todoterreno o una parte fallan a causa de abuso, el descuido o el mantenimiento impropias o las modificaciones que no tienen aprobación.

-Usted es responsable de presentar su Pequeño Motor Todoterreno al centro de distribución o centro de reparaciones que es autorizado por la Corporación de John Deere

8650 Enterprise Drive, Peosta, IA 52068 (Mi-T-M) en pronto que un problema exista. Las reparaciones de garantía deben ser completadas en una cantidad razonable de tiempo, no exceder 30 días.

Si usted tiene una pregunta con respecto a su alcance de garantía, usted debe contactar el Departamento de Servicio para Clientes de John Deere en 1-800-553-9053.

### ALCANCE GENERAL DE GARANTIA DE EMISIONES

-Sólo California-

John Deere justifica al último comprador y cada comprador subsiguiente que el Pequeño Motor Todoterreno (1) ha sido diseñado, ha sido construido y ha sido equipado para conformarse con todas regulaciones aplicables; y (2) es libre de defectos en materias y habilidad que causa que el fracaso de una parte justificada conformese con esas regulaciones puede ser como aplicable a los términos y condiciones que son indicados abajo.

(a) El período de ganantía empieza en la fecha que el motor es entregado a un último comprador o primero colocado en el servicio. El período de ganantía es dos años.

(b) Sujeto a ciertas condiciones y excursiones indicó como abajo, la garantía en emisiones relacionó partes son así:

(1) Ninguna parte que tiene garantía que no es planificado para el reemplazo como mantenimiento necesario en su manual de propietario es justificado para el período de garantía indicado arriba. Si la parte falla durante el período de alcance de garantía, la parte será reparada o será reemplazada por John Deere según la subdivisión (4) abajo. Cualquiera tal parte que es reparada o es reemplazado bajo garantía será justificado para el resto del period.

(2) Cualquier parte que tiene garantía que es planificado sólo para inspección regular en su manual de propietario es justificado para el período de garantía que es indicada arriba. Cualquiera tal parte reparó o reemplazó bajo garantía será justificado por el período restante de ganantía.

(3) Cualquier parte que tiene garantía que es planificado para el reemplazo como mantenimiento necesario en su manual de propietario es justificado para el espacio de tiempo antes de la primera fecha planificada de reemplazo para esa parte. Si la parte falla antes del primer reemplazo planificado, la parte será reparada o será reemplazada por John Deere según la subdivisión (4) abajo. Cualquiera tal parte que ha sido reparada o ha sido reemplazado bajo

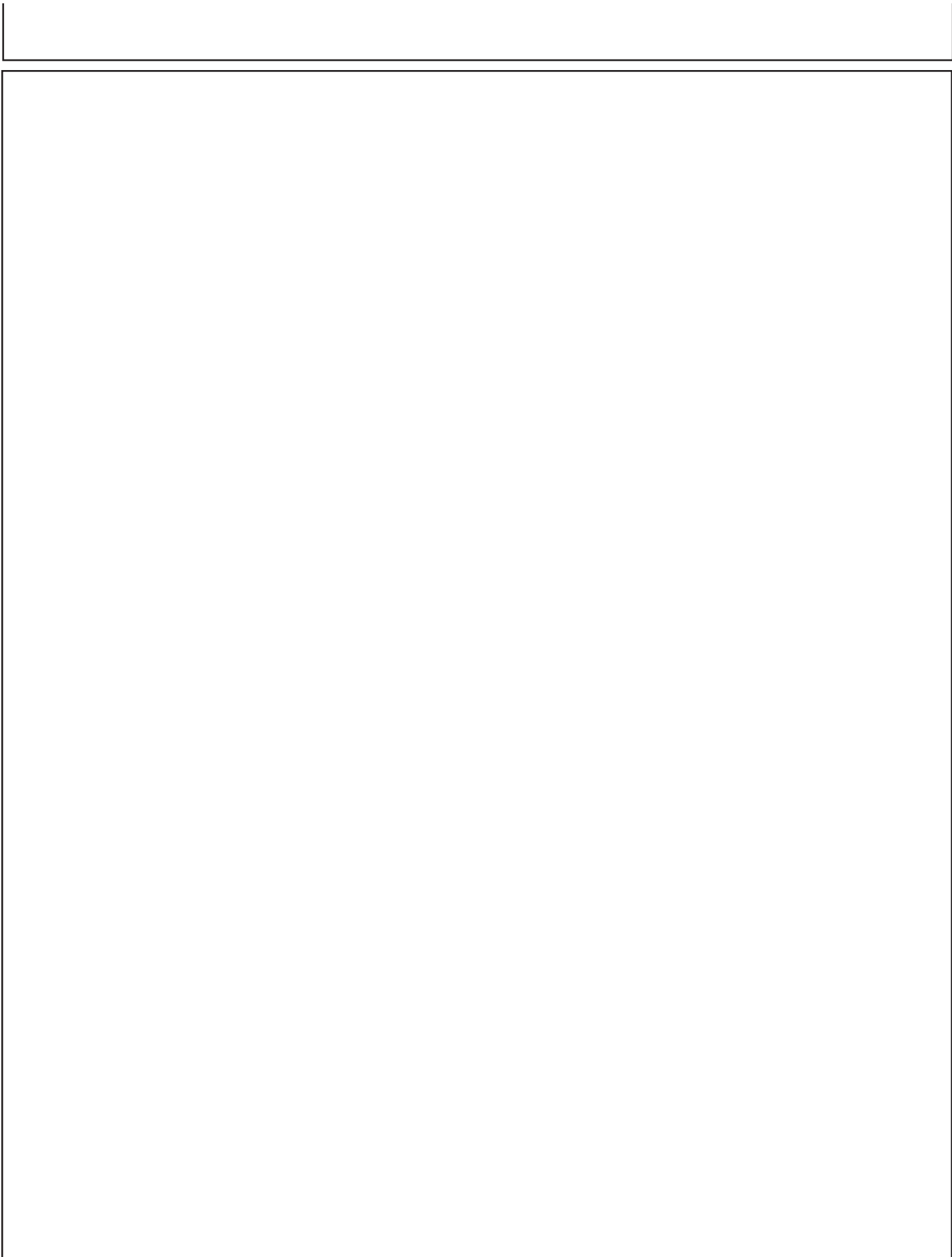
garantía será justificado para el resto del período antes del primer punto planificado de reemplazo para la parte.

- (4) Repare o el reemplazo de alguna parte justificada bajo las provisiones de garantía en este debe ser realizado en una estación de garantía en ninguna carga al propietario.
- (5) Las provisiones en esto, los servicios de garantía ni reparación serán proporcionados en todos nuestros centros de distribución que son otorgadas la concesión para atender a los motores sujetos.
- (6) El propietario no debe ser cargado para trabajo diagnóstico que lleva a la determinación que una parte justificada es de hecho defectuosa, con tal de que tal trabajo diagnóstico sea realizado en una estación de garantía.
- (7) John Deere es responsable de daños de la proximidad a otros componentes de motor que es causado por un fracaso bajo garantía de alguna parte justificada.
- (8) A través del período de garantía de motor que son indicados arriba, John Deere mantendrá que un suministro de partes justificadas suficientes para encontrar la demanda esperada para tales partes.
- (9) Cualquier repuesto puede ser utilizado en el desempeño de cualquier mantenimiento de garantía o reparaciones y debe ser proporcionado sin carga al propietario. Tal uso no reducirá las obligaciones de garantía de John Deere.
10. Las partes que son añadidas o modificado que no son eximidos por la Tabla de Recursos Aéreos no pueden ser utilizado. El uso de cualquier partes de no-eximió que son añadidas o modificados por el último comprador será razón para no permitir o reclamos que aceptan de garantía. John Deere no será responsable al fracaso de autorizaciones de partes que tiene garantía causado por el uso de una partes de no-eximió que tienen cosas extras o han sido modificado.

#### (C) Partes que tienen Garantía

La reparación o el reemplazo de cualquier parte que tiene garantía de otro modo elegible para el alcance de garantía mi es excluido de tal alcance de garantía si John Deere demuestra que el motor ha sido abusado, el componente que tiene

- (1) Sistema de Medir Combustible
  - (A) Carburador y partes internos (y/o el regulador de presión o sistema de inyección)
  - (B) Reacción de proporción de Aire/Combustible y sistema de control, si aplicable
  - (C) Sistema de enriquecimiento frío de comienzo, si aplicable
  - (D) Regulador (combustible que es gaseoso, si aplicable)
- (2) Sistema de Inducción de Aire
  - (A) Toma Múltiple, si aplicable
  - (B) Filtro de Aire
- (3) Sistema de Ignición
  - (A) bujías
  - (B) Magneto o sistema de ignición electrónica
  - (C) Sistema de avance de chispa/retarda, si aplicable
- (4) Agota múltiple, si aplicable
- (5) Sistema de Evaporación
  - (A) Línea de Combustible
  - (B) Accesorios de línea de combustible



Manufactured by Mi-T-M  
8650 Enterprise Drive, Peosta IA 52068  
563-556-7484/ Fax 563-556-1235